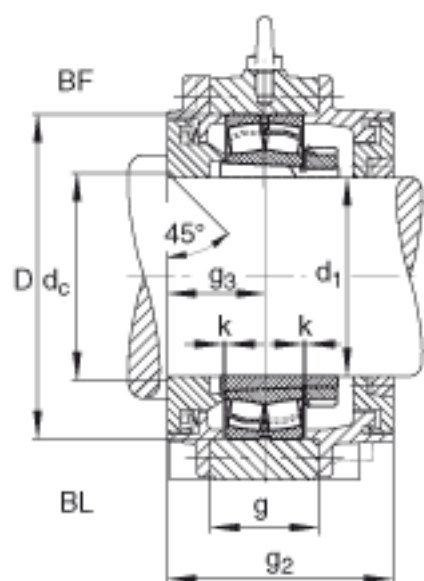


FAG BND3132-H-C-T-BL-S参数

| | | | | |
|----|----------------|---------|----|---------|
| 尺寸 | d ₁ | 140 | mm | - |
| | a | 540 | mm | - |
| | h ₁ | 360 | mm | - |
| | s ₂ | 230 | mm | - |
| | b | 200 | mm | - |
| | c | 55 | mm | - |
| | D | 270 | mm | - |
| | d _c | 148 | mm | - |
| | g | 110 | mm | - |
| | s ₃ | 105 | mm | - |
| | h | 180 | mm | - |
| | k | 3 | mm | - |
| | m | 430 | mm | - |
| | n | 110 | mm | - |
| | s | M24 | | - |
| 说明 | s ₂ | M16 | | - |
| 尺寸 | t | 310 | mm | - |
| | u | 30 | mm | - |
| | v | 35 | mm | - |
| 说明 | s ₂ | 6 | | 数量 |
| | | 23132K | | 型号, 轴承 |
| 其他 | | H3132 | | 质量, 紧定套 |
| 重量 | m ₁ | 80000 | g | 质量, 轴承座 |
| 说明 | | BND3132 | | 型号, 轴承座 |

FAG BND3132-H-C-T-BL-S图片



参考资料:<http://www.sozhou.com/p/f6220f28.html>