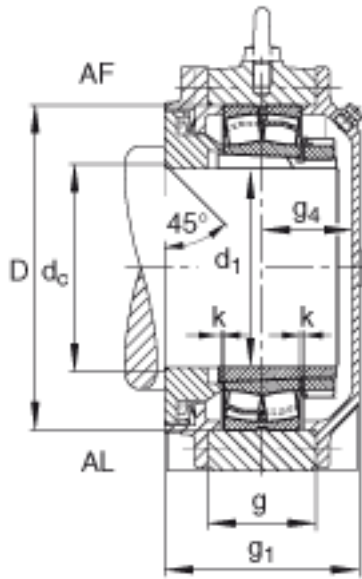


FAG BND3136-H-C-T-AL-S参数

| | | | | |
|----|----------------|---------|----|---------|
| 尺寸 | d ₁ | 160 | mm | - |
| | a | 600 | mm | - |
| | h ₁ | 395 | mm | - |
| | s ₁ | 220 | mm | - |
| | b | 200 | mm | - |
| | c | 58 | mm | - |
| | D | 300 | mm | - |
| | d _c | 172 | mm | - |
| | g | 125 | mm | - |
| | s ₄ | 95 | mm | - |
| | h | 200 | mm | - |
| | k | 3 | mm | - |
| | m | 490 | mm | - |
| | n | 105 | mm | - |
| | s | M30 | | - |
| 说明 | s ₂ | M16 | | - |
| 尺寸 | t | 350 | mm | - |
| | u | 36 | mm | - |
| | v | 45 | mm | - |
| 说明 | s ₂ | 8 | | 数量 |
| | | 23136K | | 型号, 轴承 |
| 其他 | | H3136 | | 质量, 紧定套 |
| 重量 | m ₁ | 110000 | g | 质量, 轴承座 |
| 说明 | | BND3136 | | 型号, 轴承座 |

FAG BND3136-H-C-T-AL-S图片



参考资料:<http://www.sozhou.com/p/ecaa1a74.html>

