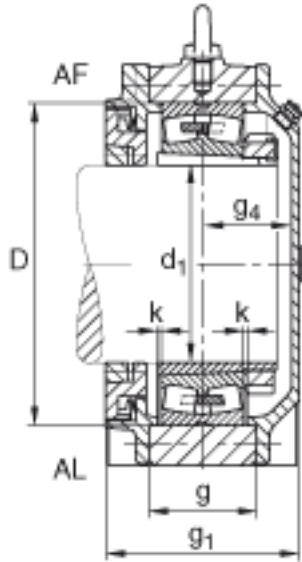


FAG BND3252-H-W-T-AL-S参数

| | | | | |
|----|----------------|-----------|----|---------|
| 尺寸 | d ₁ | 240 | mm | - |
| | a | 960 | mm | - |
| | h ₁ | 625 | mm | - |
| | g ₁ | 330 | mm | - |
| | b | 290 | mm | - |
| | c | 95 | mm | - |
| | D | 480 | mm | - |
| | g | 205 | mm | - |
| | g ₄ | 148 | mm | - |
| | h | 310 | mm | - |
| | k | 3 | mm | - |
| | m | 800 | mm | - |
| | n | 160 | mm | - |
| | s | M36 | | - |
| 说明 | s ₂ | M20 | | - |
| 尺寸 | t | 535 | mm | - |
| | u | 42 | mm | - |
| | v | 52 | mm | - |
| 说明 | s ₂ | 8 | | 数量 |
| | | 23252K | | 型号, 轴承 |
| 其他 | | H2352X-HG | | 质量, 紧定套 |
| 重量 | m ₁ | 380000 | g | 质量, 轴承座 |
| 说明 | | BND3252 | | 型号, 轴承座 |

FAG BND3252-H-W-T-AL-S图片



参考资料:<http://www.sozhou.com/p/ec9a4dc4.html>

