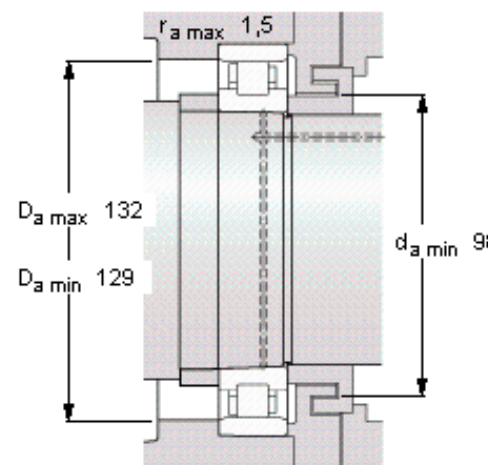
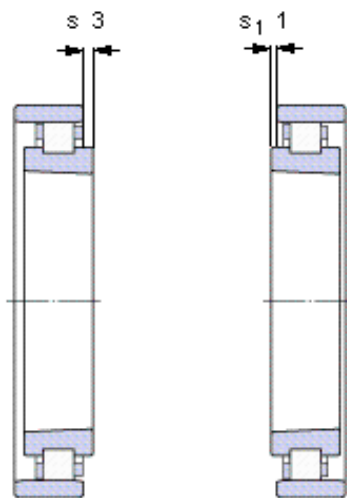
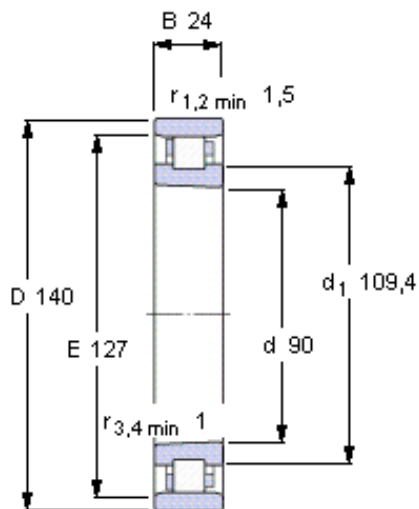


SKF N 1018 KTNHA/SP参数

主要尺寸	d	90	mm	-
	D	140	mm	-
	B	24	mm	-
基本额定载荷	C	76500	N	动载荷
	C_0	104000	N	静载荷
疲劳载荷极限	P_u	12500	N	-
极限转速	Grease	10000	r/min	-
	Oil-air	14000	r/min	-
重量	重量	1200	g	-
型号	型号	N 1018 KTNHA/SP	-	-

SKF N 1018 KTNHA/SP图片



Tapered bore, taper 1:12

Reference grease quantity [cm³]

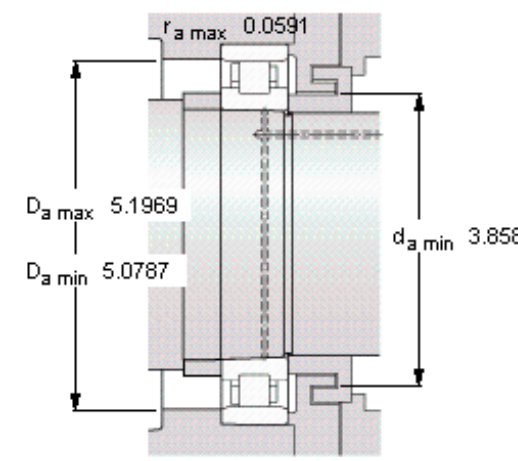
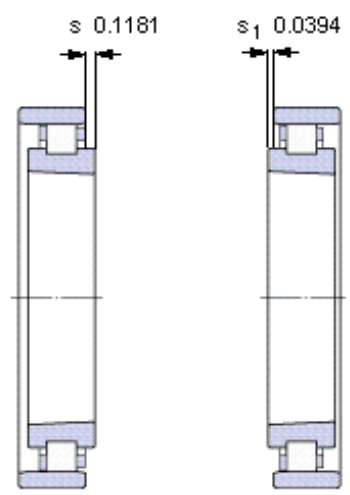
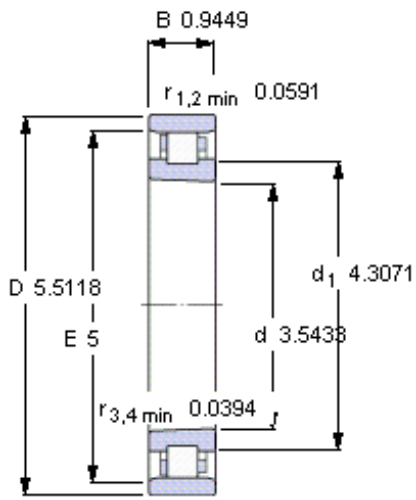
G_{ref} 14

Static radial stiffness [N/μm]

(guideline value)

940

参考资料:<http://www.sozhou.com/p/e6419243.html>



Tapered bore, taper 1:12

Reference grease quantity [cm³]

G_{ref} 14

Static radial stiffness [N/ μm]

(guideline value)

940