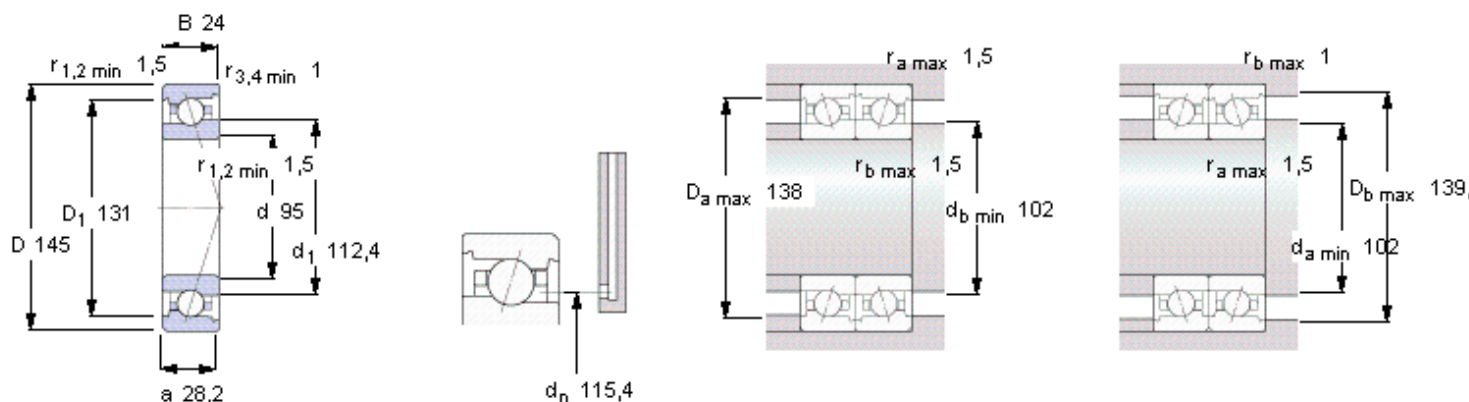


SKF 7019 CE/HCP4A参数

主要尺寸	d	95	mm	-
	D	145	mm	-
	B	24	mm	-
基本额定载荷	C	44200	N	动载荷
	C_0	38000	N	静载荷
疲劳载荷极限	P_u	1460	N	-
可达转速	Grease	15000	r/min	-
	Oil-air	23000	r/min	-
重量	重量	1100	g	-
型号	型号	7019 CE/HCP4A	-	-

SKF 7019 CE/HCP4A图片



Ball diameter 12,7

Number of balls 26

未安装时的预载荷 [N]

背对背配置，面对面配置

预载荷等级

A	B	C	D
230	700	1400	-

Static axial stiffness [N/ μm]

(guideline value)

预载荷等级

A	B	C	D
93	148	204	-

Reference grease quantity [cm³]

G_{ref} 17

计算系数

for equivalent bearing load

f_0 9,4

for preload in mounted bearing sets

f 1,11

f_1 1

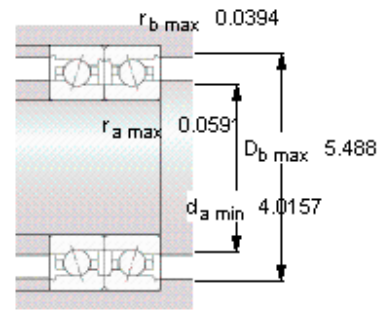
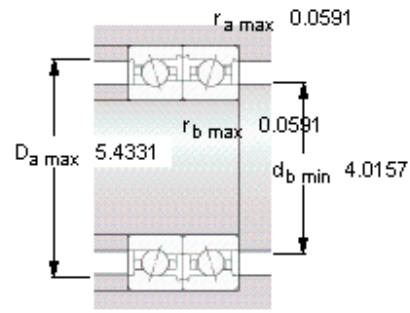
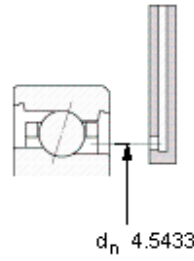
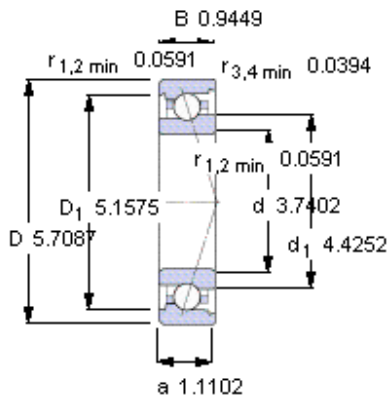
f_{2A} 1

f_{2B} 1,03

f_{2C} 1,05

f_{2D} -

f_{HC} 1,01



Ball diameter 12,7
Number of balls 26

未安装时的预载荷 [N]
 背对背配置，面对面配置
 预载荷等级

A	B	C	D
230	700	1400	-

Static axial stiffness [N/μm]

(guideline value)

预载荷等级

A	B	C	D
93	148	204	-

Reference grease quantity [cm³]

G_{ref} 17

计算系数

for equivalent bearing load

f₀ 9,4

for preload in mounted bearing sets

f 1,11

f₁ 1

f_{2A} 1

f_{2B} 1,03

f_{2C} 1,05

f_{2D} -

f_{HC} 1,01