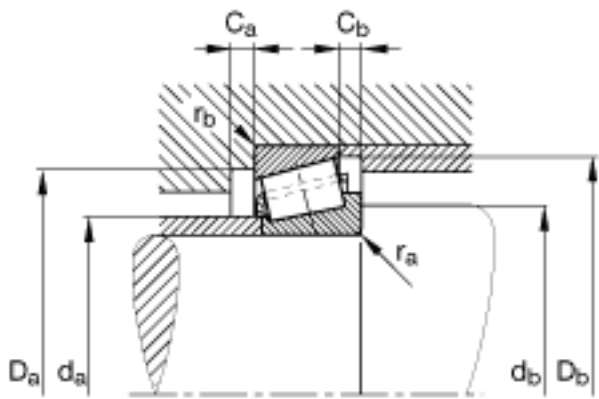
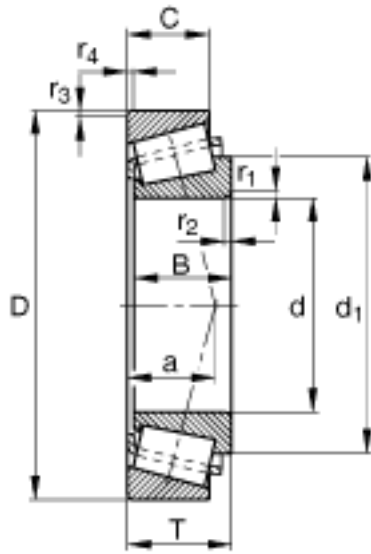
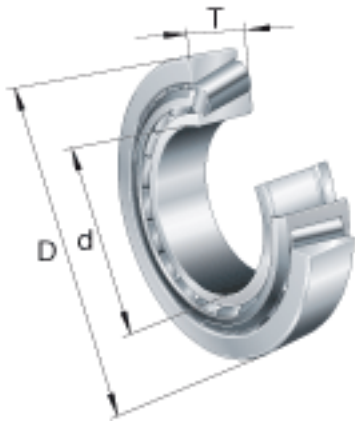


### FAG K33889-33822参数

|        |                       |                 |        |            |             |
|--------|-----------------------|-----------------|--------|------------|-------------|
| 尺寸     | d                     | 50.8            | mm     | -          |             |
|        | D                     | 95.25           | mm     | -          |             |
|        | T                     | 27.783          | mm     | -          |             |
|        | a                     | 20.4            | mm     | -          |             |
|        | B                     | 28.575          | mm     | -          |             |
|        | C                     | 22.225          | mm     | -          |             |
|        | C <sub>a min</sub>    | 3               | mm     | -          |             |
|        | C <sub>b min</sub>    | 4               | mm     | -          |             |
|        | D <sub>a min</sub>    | 86              | mm     | -          |             |
|        | D <sub>b min</sub>    | 90              | mm     | -          |             |
|        | d <sub>1</sub>        | 73.1            | mm     | -          |             |
|        | d <sub>a max</sub>    | 58              | mm     | -          |             |
|        | d <sub>b min</sub>    | 64              | mm     | -          |             |
|        | r <sub>1, 2 min</sub> | 3.6             | mm     | -          |             |
|        | r <sub>3, 4 min</sub> | 0.8             | mm     | -          |             |
|        | r <sub>a max</sub>    | 3.6             | mm     | -          |             |
|        | r <sub>b max</sub>    | 0.8             | mm     | -          |             |
|        | 重量                    | m               | 860    | g          | 质量          |
|        | 基本额定载荷                | C <sub>r</sub>  | 107000 | N          | 基本额定动载荷, 径向 |
|        |                       | C <sub>0r</sub> | 138000 | N          | 基本额定静载荷, 径向 |
| 计算系数   | e                     | 0.33            |        | -          |             |
|        | Y                     | 1.82            |        | -          |             |
|        | Y <sub>0</sub>        | 1               |        | -          |             |
| 疲劳极限载荷 | C <sub>ur</sub>       | 17200           | N      | 疲劳极限载荷, 径向 |             |
| 极限转速   | n <sub>G</sub>        | 7500            | r/min  | 极限转速       |             |

### FAG K33889-33822图片



参考资料:<http://www.sozhou.com/p/dfd0035c.html>