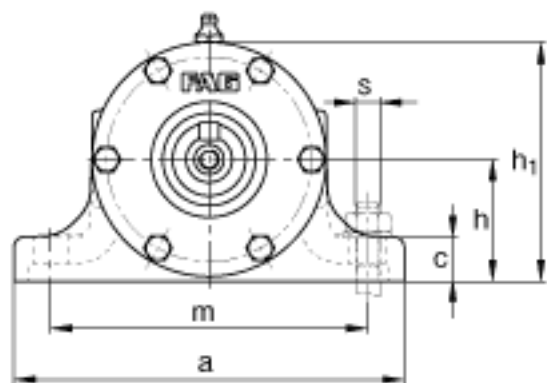
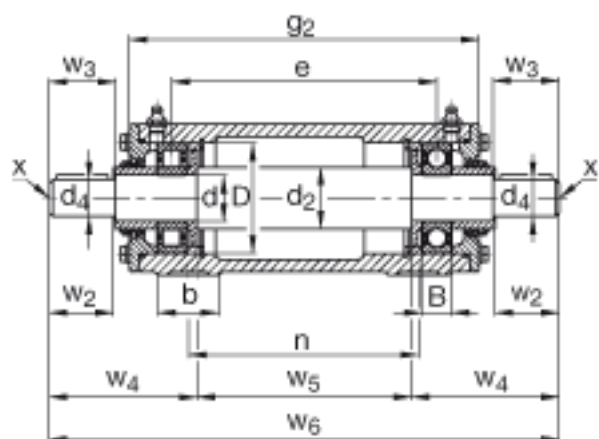
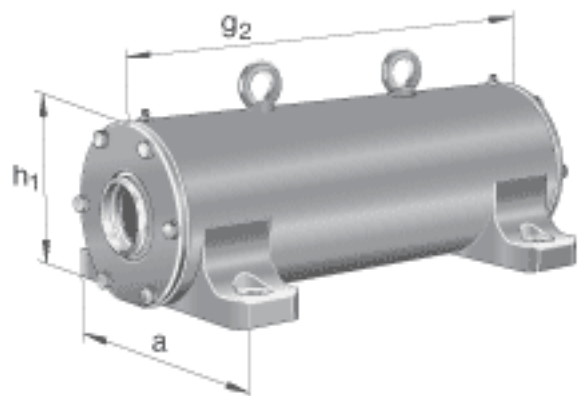


FAG VRE310-D参数

| | | | | |
|----|----------------|--------------|----|------------|
| 尺寸 | e | 314 | mm | - |
| | h | 70 | mm | - |
| | m | 170 | mm | - |
| | n | 275 | mm | - |
| | B | 27 | mm | - |
| | b | 60 | mm | - |
| | c | 25 | mm | - |
| | D | 110 | mm | - |
| | d ₂ | 60 | mm | - |
| | d ₄ | 42 | mm | - |
| | d | 50 | mm | - |
| | a | 210 | mm | - |
| | h ₁ | 138 | mm | - |
| | g ₂ | 381 | mm | - |
| | s | M12 | | - |
| | w ₂ | 110 | mm | - |
| | w ₃ | 112 | mm | - |
| | w ₄ | 179 | mm | - |
| | w ₅ | 267 | mm | - |
| | w ₆ | 625 | mm | - |
| 说明 | | NU310-E-TVP2 | | 型号, 轴承, 左侧 |
| | | 6310 | | 型号, 轴承, 右侧 |
| | | VR310-D | | 轴承座 |
| | | VRW310-D | | 轴, 完全 |
| 重量 | m ₁ | 17900 | g | 质量, 轴承座 |
| | m ₂ | 30900 | g | 质量, 单元 |
| 说明 | | VRE3 | | 型号, 轴承单元系列 |

FAG VRE310-D图片



参考资料:<http://www.sozhou.com/p/d1d58331.html>