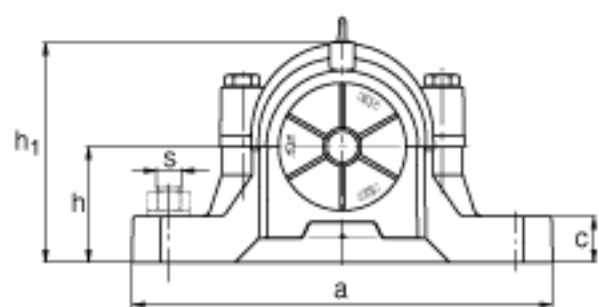
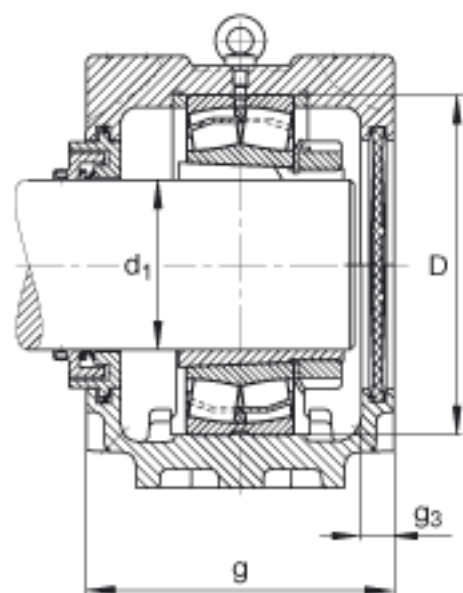
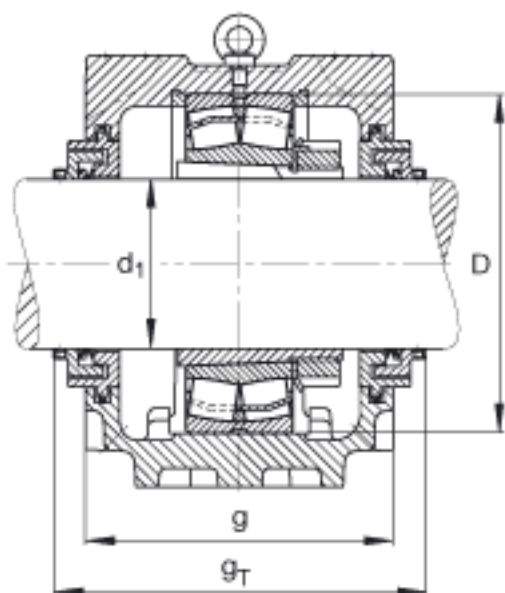


FAG SNV250-F-L + 22228K + H3128X500 + TCV528X500参数

| | | | | |
|----|-------|------------|-------|-----------------|
| 尺寸 | a | 500 | mm | - |
| | h_1 | 304 | mm | - |
| | g | 200 | mm | - |
| | b | 150 | mm | - |
| | c | 50 | mm | - |
| | D | 250 | mm | - |
| | g_3 | 18 | mm | - |
| | g_T | 245 | mm | - |
| | d_1 | 127 | mm | - |
| | h | 150 | mm | - |
| | m | 420 | mm | - |
| | s | M30 | | - |
| | s | 31.75 | mm | - |
| | u | 35 | mm | - |
| | v | 42 | mm | - |
| | 重量 | m_1 | 38000 | g |
| 说明 | | 22228K | | 型号, 轴承 |
| | | H3128X500 | | 质量, 紧定套 |
| | | FRM250/15 | | 型号, 定位圈 |
| | | TCV528.500 | | 型号, Taconite 密封 |
| | | DKV250 | | 型号, 端盖 |
| | | SNV250-F-L | | 型号, 轴承座 |

FAG SNV250-F-L + 22228K + H3128X500 + TCV528X500图片







参考资料:<http://www.sozhou.com/p/cd9bb45b.html>