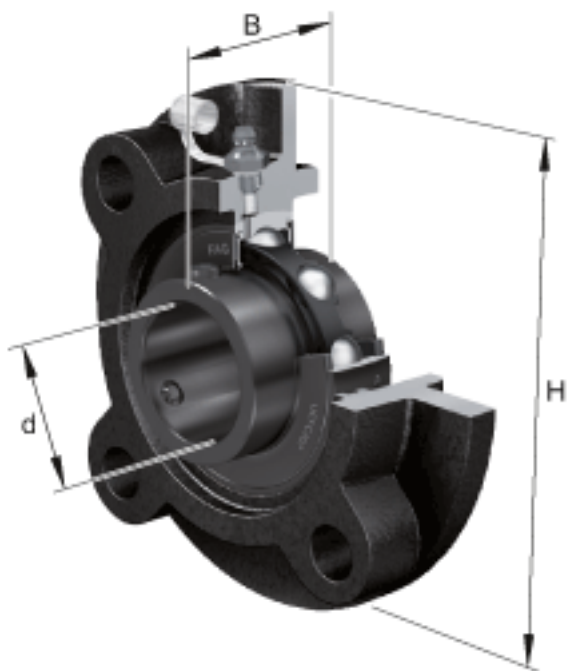
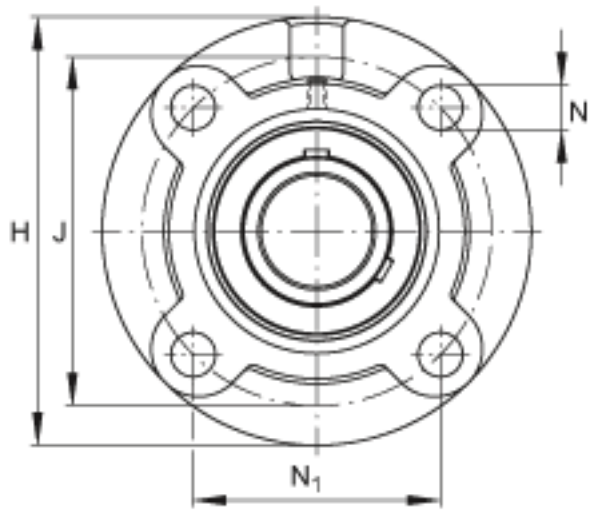


### FAG UCFC209-26参数

|    |                |          |      |            |
|----|----------------|----------|------|------------|
| 尺寸 | d              | 41.275   | mm   | -          |
|    | H              | 160      | mm   | -          |
|    | B              | 49.2     | mm   | -          |
|    | A              | 26       | mm   | -          |
|    | A <sub>1</sub> | 14       | mm   | -          |
|    | A <sub>2</sub> | 10       | mm   | -          |
|    | J              | 132      | mm   | -          |
|    | N              | 16       | mm   | -          |
|    | N <sub>1</sub> | 93.3     | mm   | -          |
|    | T <sub>1</sub> | 12       | mm   | -          |
|    | U              | 40.2     | mm   | -          |
|    | Z              | 105      | mm   | 公差:h8      |
|    | 重量             | m        | 2780 | g          |
| 说明 |                | FC209    |      | 型号, 轴承座    |
|    |                | UC209-26 |      | 型号, 外球面球轴承 |

### FAG UCFC209-26图片





参考资料:<http://www.sozhou.com/p/cb43448a.html>