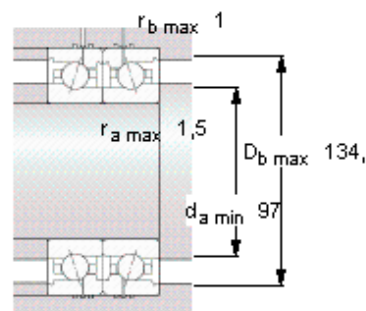
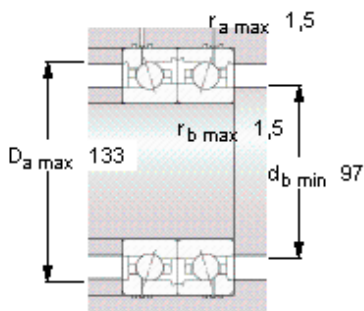
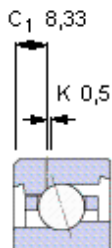
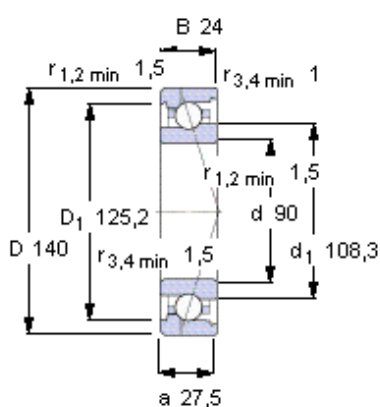


### SKF 7018 CE/HCP4AH1参数

|        |         |                 |       |     |
|--------|---------|-----------------|-------|-----|
| 主要尺寸   | d       | 90              | mm    | -   |
|        | D       | 140             | mm    | -   |
|        | B       | 24              | mm    | -   |
| 基本额定载荷 | C       | 35800           | N     | 动载荷 |
|        | $C_0$   | 32000           | N     | 静载荷 |
| 疲劳载荷极限 | $P_u$   | 1270            | N     | -   |
| 可达转速   | Grease  | 15500           | r/min | -   |
|        | Oil-air | 24000           | r/min | -   |
| 重量     | 重量      | 1100            | g     | -   |
| 型号     | 型号      | 7018 CE/HCP4AH1 | -     | -   |

### SKF 7018 CE/HCP4AH1图片



**Ball diameter** 11,112

**Number of balls** 28

**未安装时的预载荷 [N]**

背对背配置，面对面配置

预载荷等级

|     |     |      |   |
|-----|-----|------|---|
| A   | B   | C    | D |
| 190 | 580 | 1150 | - |

**Static axial stiffness [N/μm]**

(guideline value)

预载荷等级

|    |     |     |   |
|----|-----|-----|---|
| A  | B   | C   | D |
| 87 | 138 | 189 | - |

**Reference grease quantity [cm<sup>3</sup>]**

$G_{ref}$  14

**计算系数**

for equivalent bearing load

$f_0$  9,6

for preload in mounted bearing sets

$f$  1,1

$f_1$  1

$f_{2A}$  1

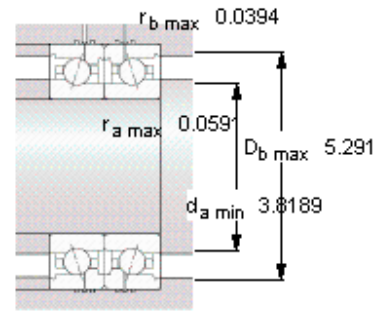
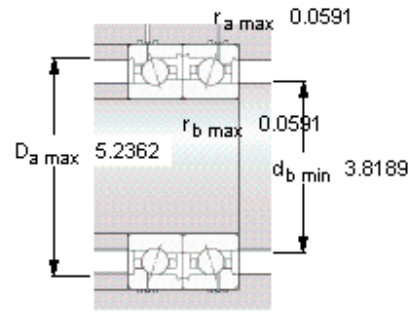
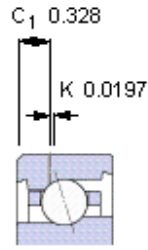
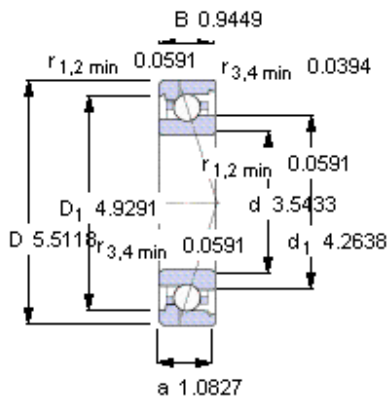
$f_{2B}$  1,03

$f_{2C}$  1,05

$f_{2D}$  -

$f_{HC}$  1,01

参考资料: <http://www.sozhou.com/p/bc5b4c42.html>



**Ball diameter** 11,112  
**Number of balls** 28

**未安装时的预载荷 [N]**

背对背配置，面对面配置

预载荷等级

| A   | B   | C    | D |
|-----|-----|------|---|
| 190 | 580 | 1150 | - |

**Static axial stiffness [N/μm]**

(guideline value)

预载荷等级

| A  | B   | C   | D |
|----|-----|-----|---|
| 87 | 138 | 189 | - |

**Reference grease quantity [cm<sup>3</sup>]**

G<sub>ref</sub> 14

**计算系数**

for equivalent bearing load

f<sub>0</sub> 9,6

for preload in mounted bearing sets

f 1,1

f<sub>1</sub> 1

f<sub>2A</sub> 1

f<sub>2B</sub> 1,03

f<sub>2C</sub> 1,05

f<sub>2D</sub> -

f<sub>HC</sub> 1,01