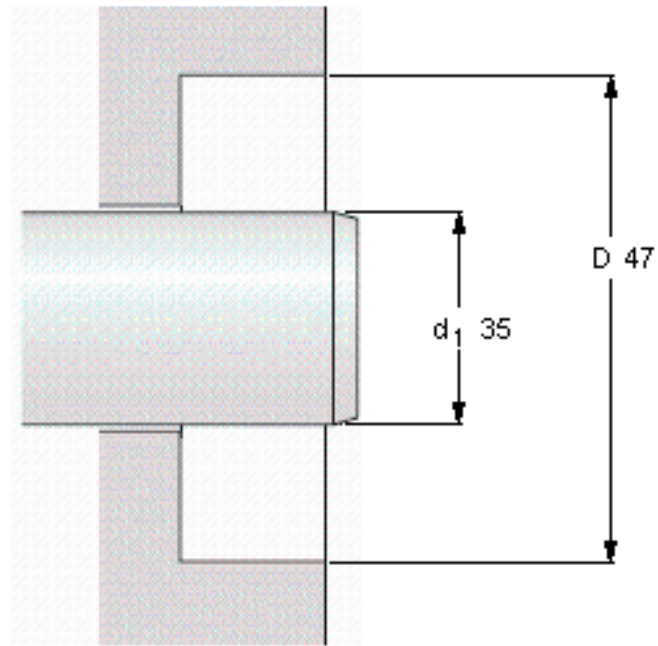


### SKF 35x47x8 HMS5 RG参数

|                                   |   |                               |    |   |
|-----------------------------------|---|-------------------------------|----|---|
| 主要尺寸                              | d <sub>1</sub>                          | 35                            | mm | - |
|                                   | d1                                      | 47                            | mm | - |
|                                   | b                                       | 8                             | mm | - |
| 设计                                | 设计                                      | HMS5                          | -  | - |
| 密封唇材料                             | 密封唇材料                                   | RG                            | -  | - |
| Pressuredifferential<br>[MPa/psi] | Pressure<br>differential [MPa /<br>psi] | 0.03                          |    | - |
| 型号                                | 型号                                      | 35x47x8 HMS5 RG               | -  | - |
| 美国图纸编号                            | 美国图纸编号                                  | 564011                        | -  | - |
| 注释                                | 注释                                      | In accordance with<br>ISO/DIN | -  | - |

### SKF 35x47x8 HMS5 RG图片



**Permissible operating temperature [°C / °F]**

|           |               |
|-----------|---------------|
| 最小        | 最大            |
| -40 / -40 | 100 / 210     |
|           | short periods |
|           | 120 / 250     |

**Rotational speed [r/min]**

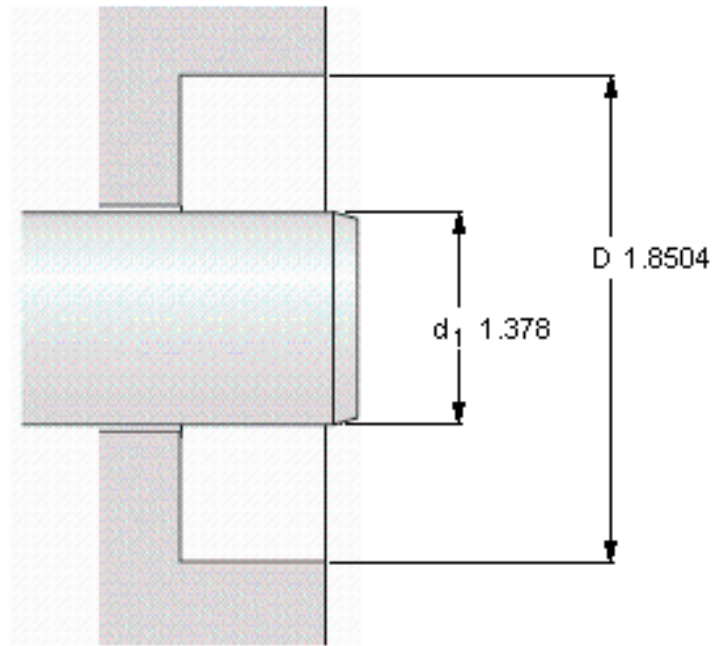
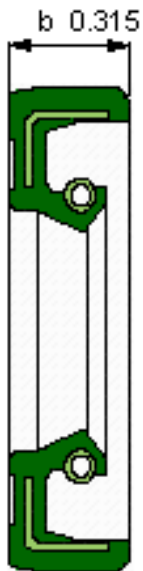
7639  
**at circumferential speed [m/s / ft/s]**  
 14 / 45,92

**Pressure differential [MPa / psi]**

0,03 / 5

See also "Permissible speeds" and "Chemical and thermal resistance"

参考资料:<http://www.sozhou.com/p/afbde062.html>



**Permissible operating temperature [°C / °F]**

最小

最大

-40 / -40

100 / 210

short periods

120 / 250

**Rotational speed [r/min]**

7639

**at circumferential speed [m/s / ft/s]**

14 / 45,92

**Pressure differential [MPa / psi]**

0,03 / 5

See also "Permissible speeds" and "Chemical and thermal resistance"