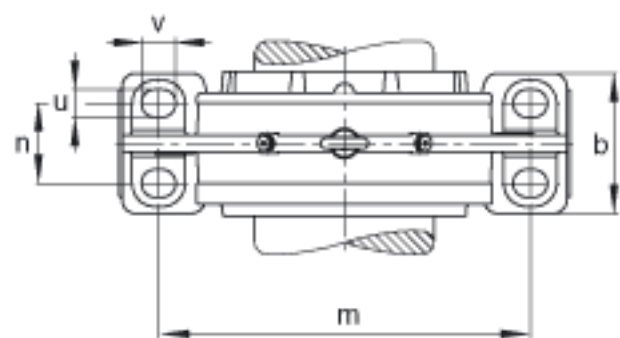
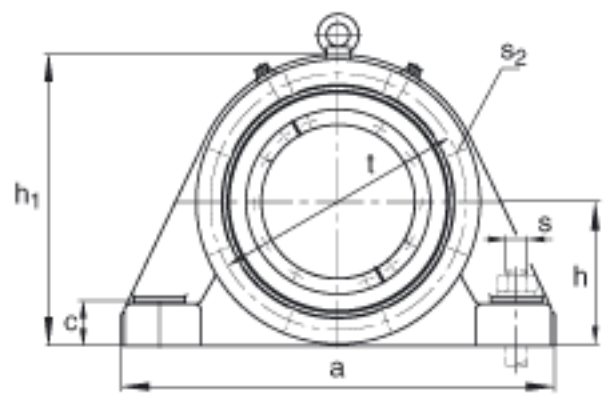
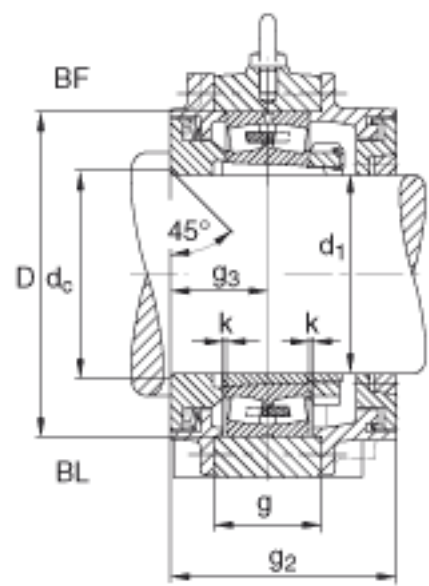
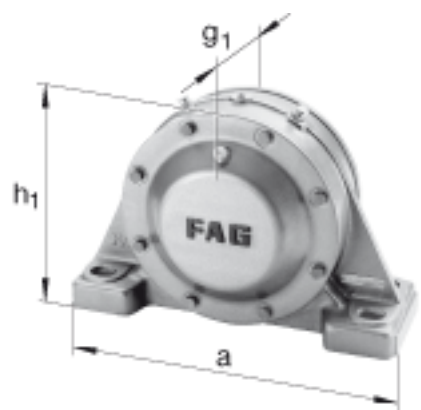


FAG BND3184-H-C-T-BL-S参数

| | | | | |
|----|----------------|----------|----|---------|
| 尺寸 | v | 85 | mm | - |
| 说明 | s ₂ | 8 | | 数量 |
| | | 23184K | | 型号, 轴承 |
| 其他 | | H3184-HG | | 质量, 紧定套 |
| 重量 | m ₁ | 950000 | g | 质量, 轴承座 |
| 说明 | | BND3184 | | 型号, 轴承座 |
| 尺寸 | d ₁ | 400 | mm | - |
| | a | 1350 | mm | - |
| | h ₁ | 900 | mm | - |
| | s ₂ | 510 | mm | - |
| | b | 420 | mm | - |
| | c | 135 | mm | - |
| | D | 700 | mm | - |
| | d _c | 424 | mm | - |
| | g | 260 | mm | - |
| | s ₃ | 210 | mm | - |
| | h | 450 | mm | - |
| | k | 7 | mm | - |
| | m | 1100 | mm | - |
| | n | 210 | mm | - |
| | s | M56 | | - |
| 说明 | s ₂ | M30 | | - |
| 尺寸 | t | 760 | mm | - |
| | u | 64 | mm | - |

FAG BND3184-H-C-T-BL-S图片



参考资料:<http://www.sozhou.com/p/aacd072c.html>