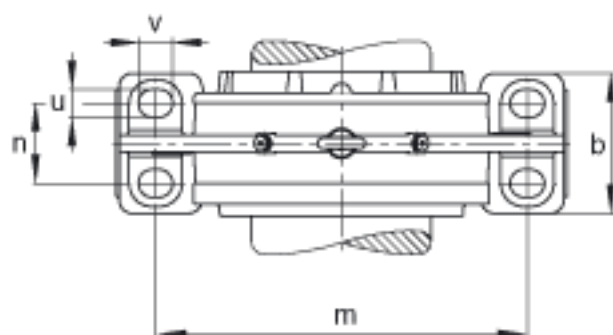
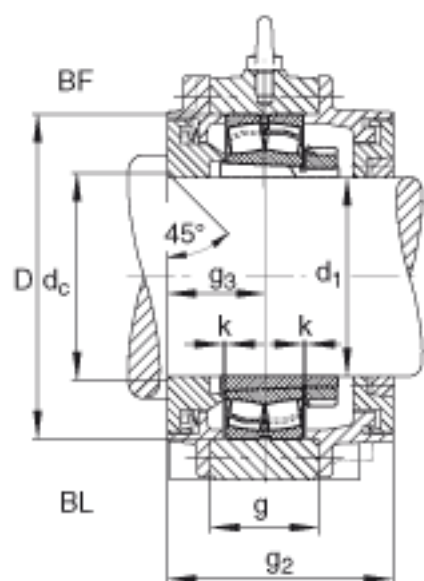


FAG BND3028-H-C-T-BL-S参数

|    |                |         |    |         |
|----|----------------|---------|----|---------|
| 尺寸 | d <sub>1</sub> | 125     | mm | -       |
|    | a              | 430     | mm | -       |
|    | h <sub>1</sub> | 275     | mm | -       |
|    | s <sub>2</sub> | 156     | mm | -       |
|    | b              | 130     | mm | -       |
|    | c              | 40      | mm | -       |
|    | D              | 210     | mm | -       |
|    | d <sub>c</sub> | 133     | mm | -       |
|    | g              | 70      | mm | -       |
|    | s <sub>3</sub> | 68      | mm | -       |
|    | h              | 140     | mm | -       |
|    | k              | 3       | mm | -       |
|    | m              | 360     | mm | -       |
|    | n              | 70      | mm | -       |
|    | s              | M24     |    | -       |
| 说明 | s <sub>2</sub> | M10     |    | -       |
| 尺寸 | t              | 240     | mm | -       |
|    | u              | 30      | mm | -       |
|    | v              | 35      | mm | -       |
| 说明 | s <sub>2</sub> | 8       |    | 数量      |
|    |                | 23028K  |    | 型号, 轴承  |
| 其他 |                | H3028   |    | 质量, 紧定套 |
| 重量 | m <sub>1</sub> | 35000   | g  | 质量, 轴承座 |
| 说明 |                | BND3028 |    | 型号, 轴承座 |

FAG BND3028-H-C-T-BL-S图片



参考资料:<http://www.sozhou.com/p/a65923cb.html>