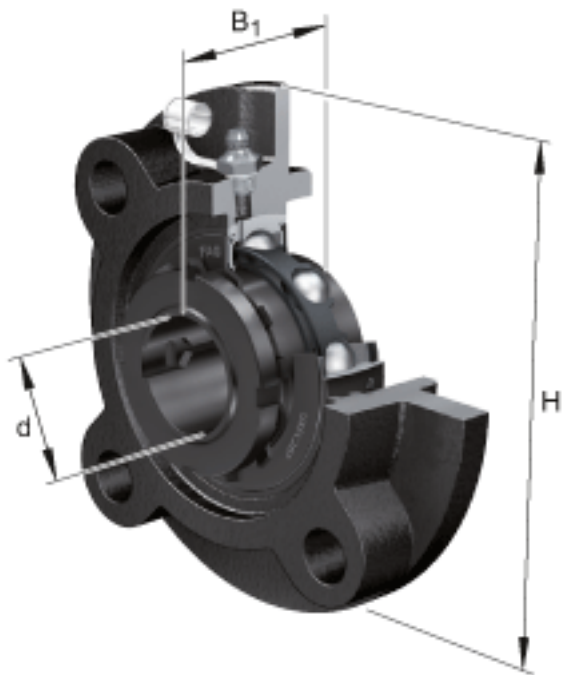
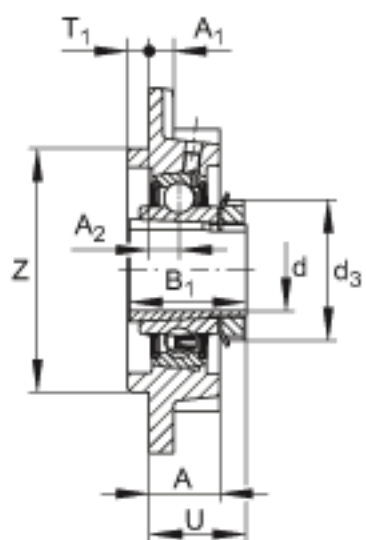
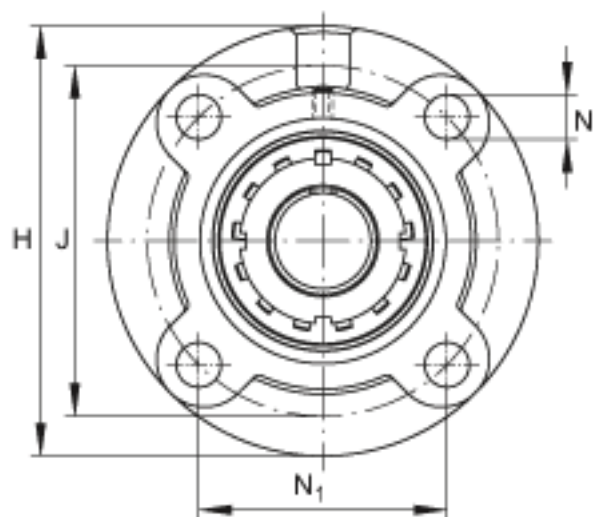


FAG UKFC215参数

| | | | | |
|----|--------------------|-------|------|------------|
| 尺寸 | d | 65 | mm | - |
| | H | 220 | mm | - |
| | B ₁ | 73 | mm | - |
| | A | 40 | mm | - |
| | A ₁ | 18 | mm | - |
| | A ₂ | 18 | mm | - |
| | d _{3 max} | 98 | mm | - |
| | J | 184 | mm | - |
| | N | 19 | mm | - |
| | N ₁ | 130.1 | mm | - |
| | T ₁ | 16 | mm | - |
| | Z | 160 | mm | - |
| | 重量 | m | 7680 | g |
| 说明 | | FC215 | | 型号, 轴承座 |
| | | UK215 | | 型号, 外球面球轴承 |

FAG UKFC215图片





参考资料:<http://www.sozhou.com/p/9eaf0ed7.html>