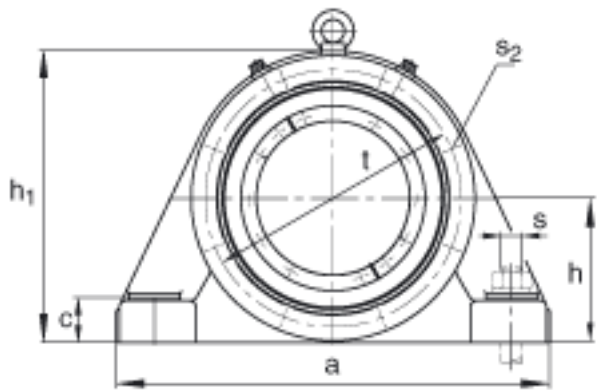
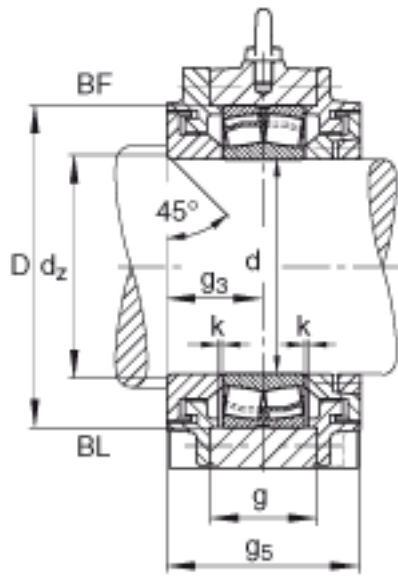


FAG BND2220-Z-Y-BF-S参数

| | | | | |
|----|----------------|---------|----|---------|
| 尺寸 | t | 205 | mm | - |
| | u | 30 | mm | - |
| | v | 35 | mm | - |
| 说明 | s ₂ | 6 | | 数量 |
| | | 22220 | | 型号, 轴承 |
| 重量 | m ₁ | 30000 | g | 质量, 轴承座 |
| 说明 | | BND2220 | | 型号, 轴承座 |
| 尺寸 | d | 100 | mm | - |
| | a | 400 | mm | - |
| | h ₁ | 255 | mm | - |
| | b | 120 | mm | - |
| | c | 40 | mm | - |
| | D | 180 | mm | - |
| | d _z | 108 | mm | - |
| | g | 65 | mm | - |
| | g ₃ | 78 | mm | - |
| | g ₅ | 156 | mm | - |
| | h | 130 | mm | - |
| | m | 320 | mm | - |
| | n | 65 | mm | - |
| | s | M24 | | - |
| 说明 | s ₂ | M8 | | - |

FAG BND2220-Z-Y-BF-S图片





参考资料:<http://www.sozhou.com/p/94ff214f.html>