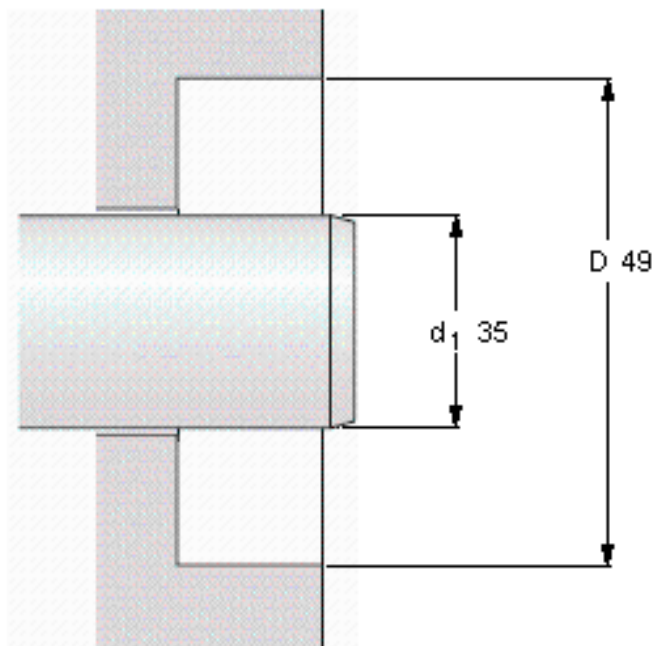
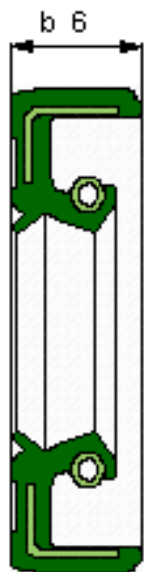


SKF 35x49x6 HMSA10 V参数

主要尺寸	d ₁	35	mm	-
	d1	49	mm	-
	b	6	mm	-
设计	设计	HMSA10	-	-
密封唇材料	密封唇材料	V	-	-
Pressuredifferential [MPa/psi]	Pressure differential [MPa / psi]	0.03	-	-
型号	型号	35x49x6 HMSA10 V	-	-
美国图纸编号	美国图纸编号	562580	-	-
注释	注释	不锈钢卡紧弹簧	-	-

SKF 35x49x6 HMSA10 V图片



Permissible operating temperature [°C / °F]

最小	最大
-40 / -40	200 / 390
	short periods
	220 / 430

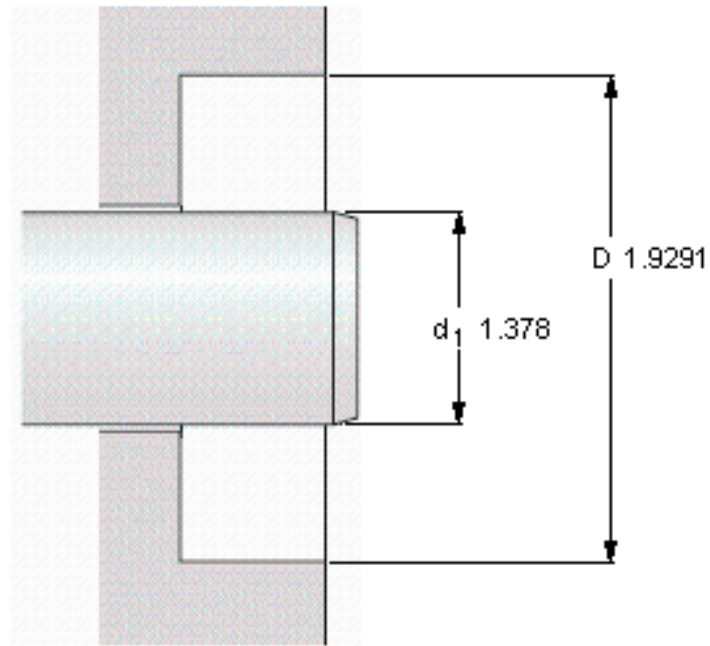
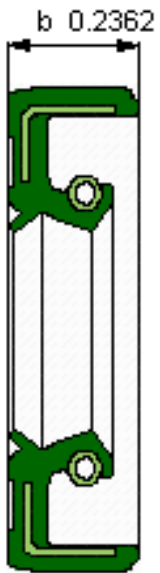
Rotational speed [r/min]

7639
at circumferential speed [m/s / ft/s]
14 / 45,92

Pressure differential [MPa / psi]

0,03 / 5

See also "Permissible speeds" and "Chemical and thermal resistance"



Permissible operating temperature [°C / °F]

最小	最大
-40 / -40	200 / 390
	short periods
	220 / 430

Rotational speed [r/min]

7639
at circumferential speed [m/s / ft/s]
14 / 45,92

Pressure differential [MPa / psi]

0,03 / 5

See also "Permissible speeds" and "Chemical and thermal resistance"

参考资料:<http://www.sozhou.com/p/8edc5cee.html>