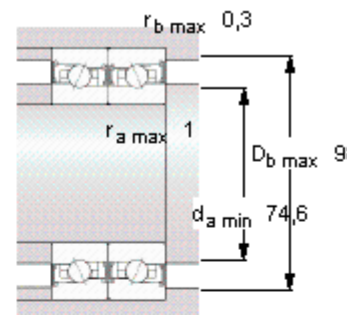
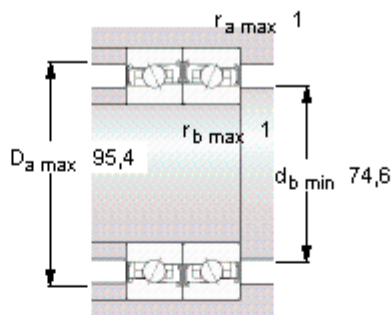
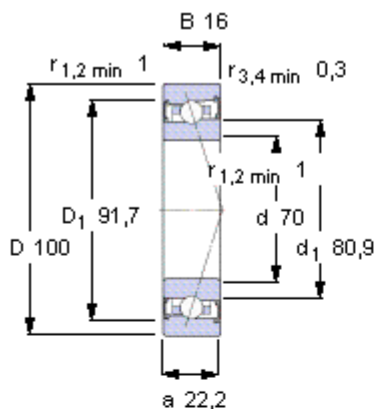


SKF S71914 CB/HCP4A参数

主要尺寸	d	70	mm	-
	D	100	mm	-
	B	16	mm	-
基本额定载荷	C	13500	N	动载荷
	C_0	12200	N	静载荷
疲劳载荷极限	P_u	520	N	-
可达转速	Grease	22000	r/min	-
	Oil-air	-	r/min	-
重量	重量	340	g	-
型号	型号	S71914 CB/HCP4A	-	-

SKF S71914 CB/HCP4A图片



Ball diameter 6,35

Number of balls 32

未安装时的预载荷 [N]

背对背配置，面对面配置

预载荷等级

A	B	C	D
45	90	270	-

Static axial stiffness [N/μm]

(guideline value)

预载荷等级

A	B	C	D
48	63	101	-

Reference grease quantity [cm³]

G_{ref} -

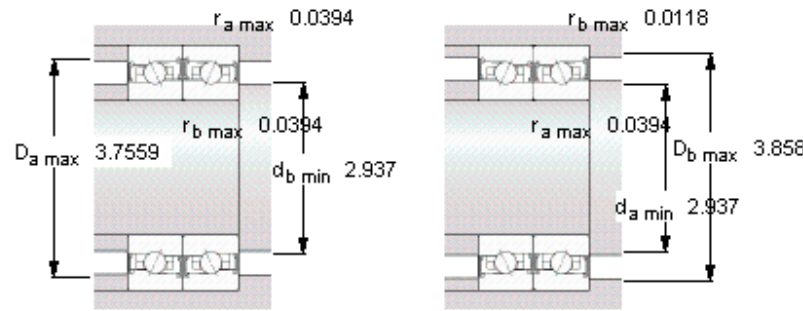
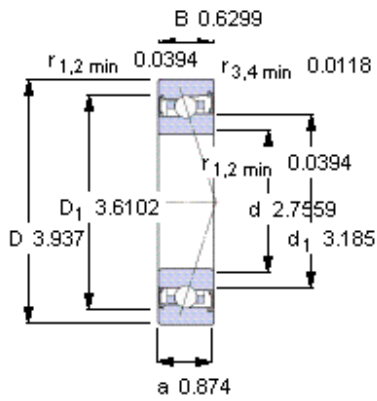
计算系数

for equivalent bearing load

f_0 9,9

for preload in mounted bearing sets

- f 1,1
- f_1 1
- f_{2A} 1
- f_{2B} 1,03
- f_{2C} 1,08
- f_{2D} -
- f_{HC} 1,01



Ball diameter 6,35

Number of balls 32

未安装时的预载荷 [N]

背对背配置，面对面配置

预载荷等级

A	B	C	D
45	90	270	-

Static axial stiffness [N/μm]

(guideline value)

预载荷等级

A	B	C	D
48	63	101	-

Reference grease quantity [cm³]

G_{ref} -

计算系数

for equivalent bearing load

f₀ 9,9

for preload in mounted bearing sets

f 1,1

f₁ 1

f_{2A} 1

f_{2B} 1,03

f_{2C} 1,08

f_{2D} -

f_{HC} 1,01