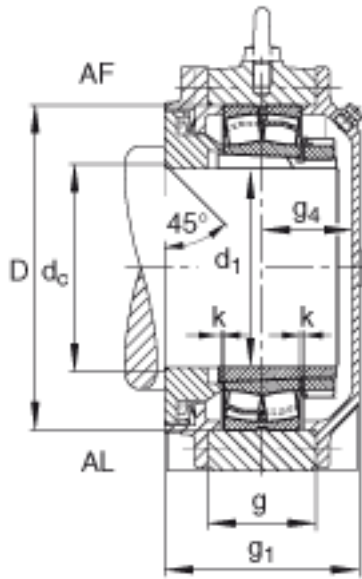


FAG BND3024-H-C-T-AL-S参数

| | | | | |
|----|----------------|---------|----|---------|
| 尺寸 | n | 60 | mm | - |
| | D | 180 | mm | - |
| | d _c | 118 | mm | - |
| | g | 60 | mm | - |
| | g ₄ | 57 | mm | - |
| | h | 115 | mm | - |
| | k | 2.5 | mm | - |
| | m | 300 | mm | - |
| | d ₁ | 110 | mm | - |
| | a | 370 | mm | - |
| | h ₁ | 230 | mm | - |
| | g ₁ | 126 | mm | - |
| | b | 110 | mm | - |
| | c | 35 | mm | - |
| | s | M20 | | - |
| 说明 | s ₂ | M8 | | - |
| 尺寸 | t | 205 | mm | - |
| | u | 25 | mm | - |
| | v | 35 | mm | - |
| 说明 | s ₂ | 8 | | 数量 |
| | | 23024K | | 型号, 轴承 |
| 其他 | | H3024 | | 质量, 紧定套 |
| 重量 | m ₁ | 20000 | g | 质量, 轴承座 |
| 说明 | | BND3024 | | 型号, 轴承座 |

FAG BND3024-H-C-T-AL-S图片



参考资料:<http://www.sozhou.com/p/89862b79.html>

