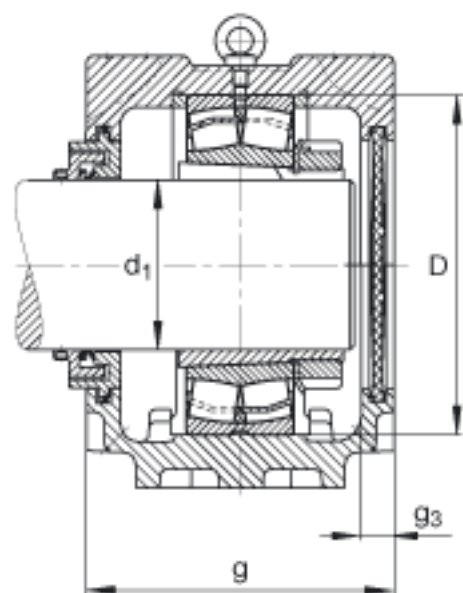
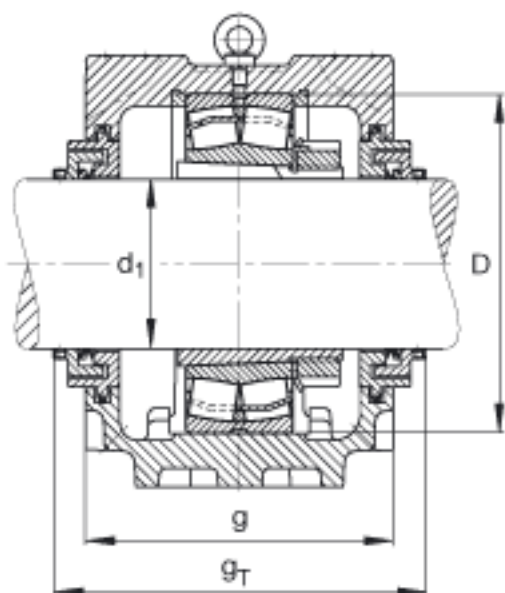


FAG SNV290-F-L + 22232K + H3132X507 + TCV532X507参数

尺寸	d_1	138.113	mm	-
	a	550	mm	-
	h_1	351	mm	-
	g	225	mm	-
	b	160	mm	-
	c	60	mm	-
	D	290	mm	-
	g_3	18	mm	-
	g_T	270	mm	-
	h	170	mm	-
	m	470	mm	-
	s	M30		-
	s	31.75	mm	-
	u	35	mm	-
	v	42	mm	-
	重量	m_1	53800	g
说明		22232K		型号, 轴承
		H3132X507		质量, 紧定套
		FRM290/17		型号, 定位圈
		TCV532.507		型号, Taconite 密封
		DKV290		型号, 端盖
		SNV290-F-L		型号, 轴承座

FAG SNV290-F-L + 22232K + H3132X507 + TCV532X507图片







参考资料:<http://www.sozhou.com/p/7e222f9c.html>