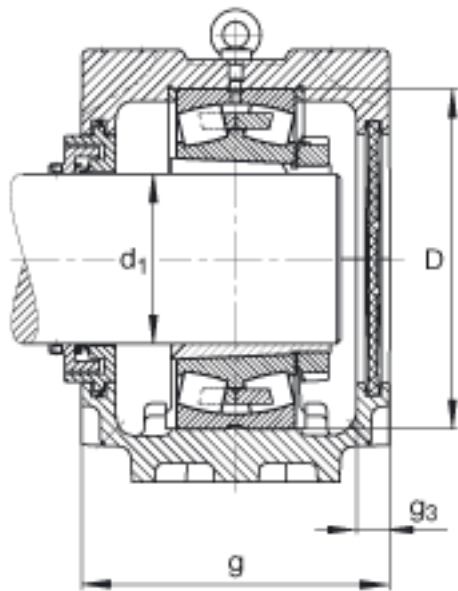
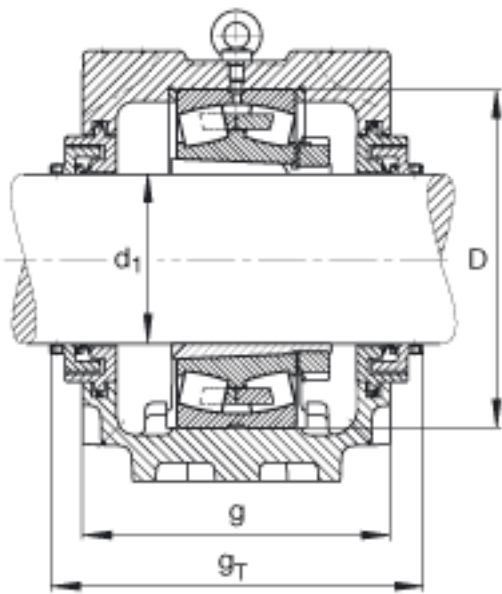


FAG SNV340-F-L + 22332K + H2332X507 + TCV532X507参数

尺寸	d_1	138.113	mm	-
	a	680	mm	-
	h_1	406	mm	-
	g	235	mm	-
	b	190	mm	-
	c	70	mm	-
	D	340	mm	-
	g_3	18	mm	-
	g_T	298	mm	-
	h	200	mm	-
	m	580	mm	-
	s	M36		-
	s	38.1	mm	-
	u	42	mm	-
	v	50	mm	-
	重量	m_1	115000	g
说明		22332K		型号, 轴承
		H2332X507		质量, 紧定套
		FRM340/5		型号, 定位圈
		TCV532.507		型号, Taconite 密封
		DKV290		型号, 端盖
		SNV340-F-L		型号, 轴承座

FAG SNV340-F-L + 22332K + H2332X507 + TCV532X507图片







参考资料:<http://www.sozhou.com/p/7b94edbc.html>