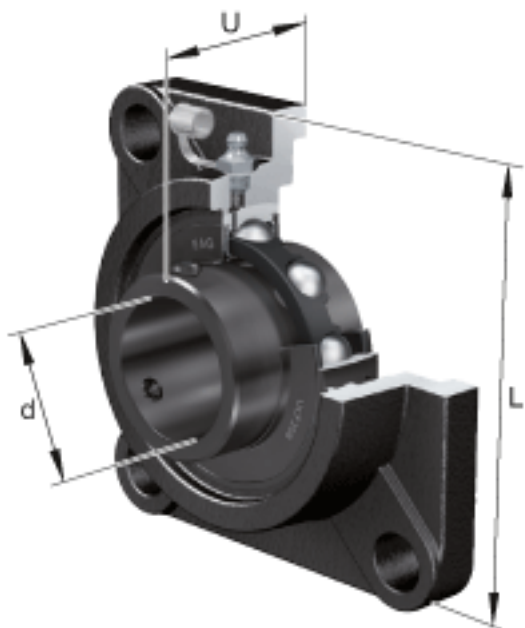


FAG UCF216-49参数

| | | | | |
|----|----------------|----------|------|------------|
| 尺寸 | d | 77.7875 | mm | - |
| | L | 208 | mm | - |
| | U | 83.3 | mm | - |
| | A | 58 | mm | - |
| | A ₁ | 24 | mm | - |
| | A ₂ | 34 | mm | - |
| | B | 82.6 | mm | - |
| | J | 165 | mm | - |
| | N | 23 | mm | - |
| | 重量 | m | 7570 | g |
| 说明 | | F216 | | 型号, 轴承座 |
| | | UC216-49 | | 型号, 外球面球轴承 |

FAG UCF216-49图片





参考资料:<http://www.sozhou.com/p/778b1067.html>