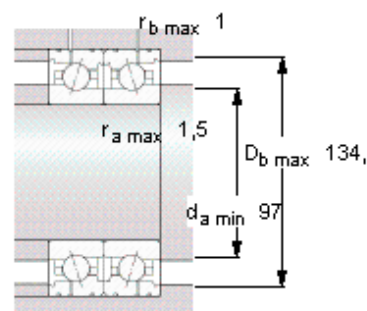
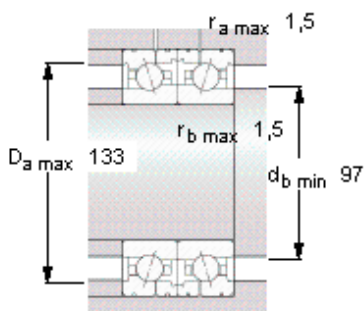
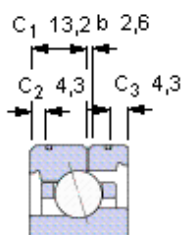
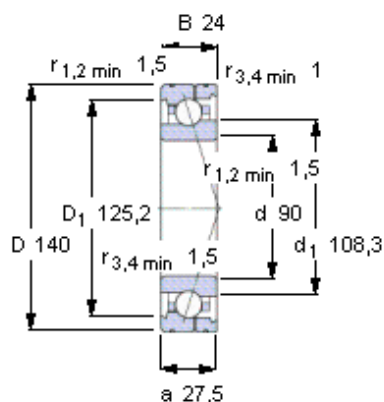


SKF 7018 CE/HCP4AL 参数

主要尺寸	d	90	mm	-
	D	140	mm	-
	B	24	mm	-
基本额定载荷	C	35800	N	动载荷
	C_0	32000	N	静载荷
疲劳载荷极限	P_u	1270	N	-
可达转速	Grease	15500	r/min	-
	Oil-air	24000	r/min	-
重量	重量	1100	g	-
型号	型号	7018 CE/HCP4AL	-	-

SKF 7018 CE/HCP4AL 图片



Ball diameter 11,112

Number of balls 28

未安装时的预载荷 [N]

背对背配置，面对面配置

预载荷等级

A	B	C	D
190	580	1150	-

Static axial stiffness [N/μm]

(guideline value)

预载荷等级

A	B	C	D
87	138	189	-

Reference grease quantity [cm³]

G_{ref} 14

计算系数

for equivalent bearing load

f_0 9,6

for preload in mounted bearing sets

f 1,1

f_1 1

f_{2A} 1

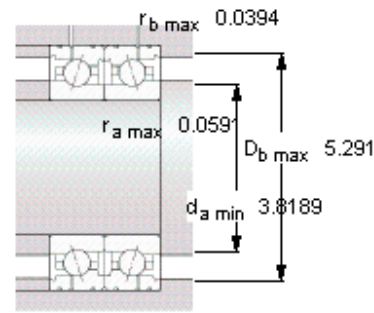
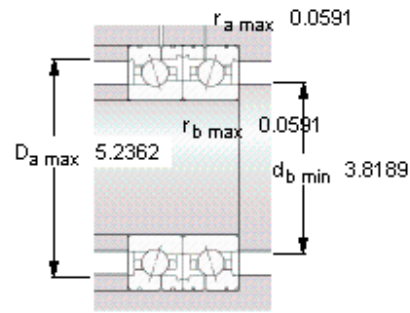
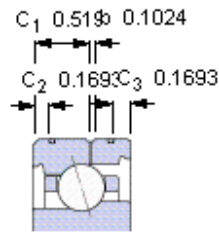
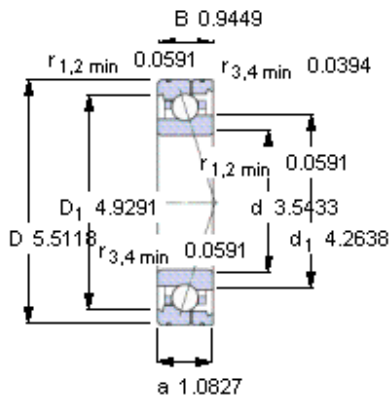
f_{2B} 1,03

f_{2C} 1,05

f_{2D} -

f_{HC} 1,01

参考资料: <http://www.sozhou.com/p/76420f47.html>



Ball diameter 11,112

Number of balls 28

未安装时的预载荷 [N]

背对背配置，面对面配置

预载荷等级

A	B	C	D
190	580	1150	-

Static axial stiffness [N/μm]

(guideline value)

预载荷等级

A	B	C	D
87	138	189	-

Reference grease quantity [cm³]

G_{ref} 14

计算系数

for equivalent bearing load

f₀ 9,6

for preload in mounted bearing sets

f 1,1

f₁ 1

f_{2A} 1

f_{2B} 1,03

f_{2C} 1,05

f_{2D} -

f_{HC} 1,01