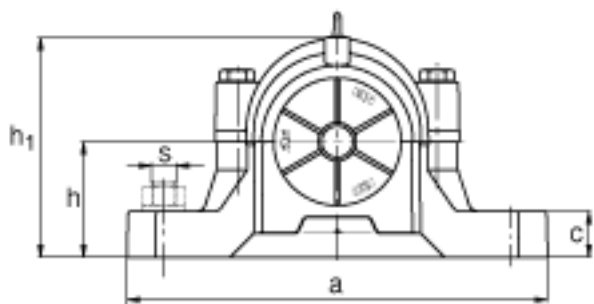
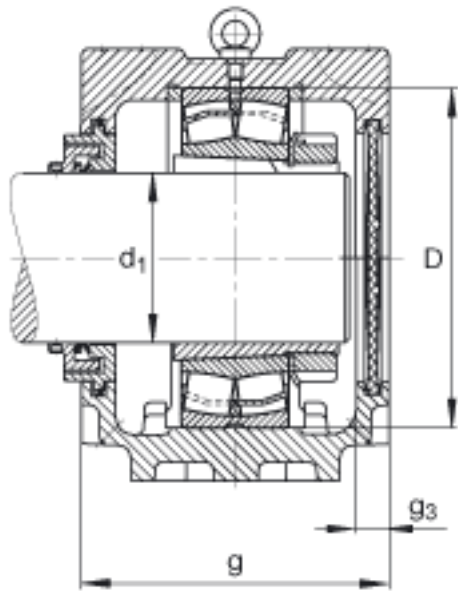
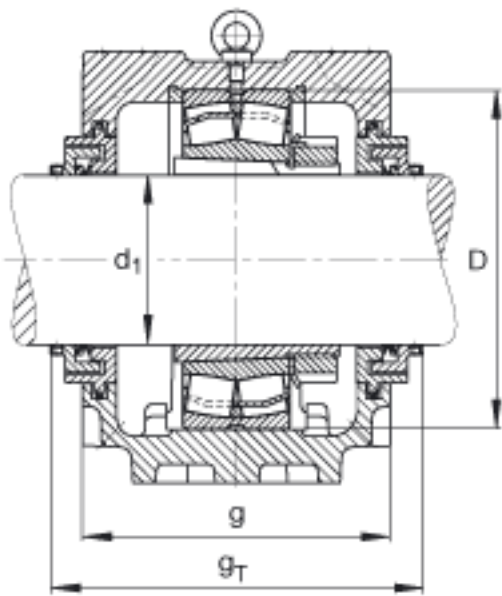


FAG SNV260-F-L + 22324K + H2324X404 + TCV524X404参数

|    |       |            |    |                 |
|----|-------|------------|----|-----------------|
| 重量 | $m_1$ | 48000      | g  | 质量, 轴承座         |
| 说明 |       | 22324K     |    | 型号, 轴承          |
|    |       | H2324X404  |    | 质量, 紧定套         |
|    |       | FRM260/5   |    | 型号, 定位圈         |
|    |       | TCV524.404 |    | 型号, Taconite 密封 |
|    |       | DKV215     |    | 型号, 端盖          |
|    |       | SNV260-F-L |    | 型号, 轴承座         |
| 尺寸 | $d_1$ | 107.95     | mm | -               |
|    | a     | 530        | mm | -               |
|    | $h_1$ | 321        | mm | -               |
|    | g     | 190        | mm | -               |
|    | b     | 160        | mm | -               |
|    | c     | 60         | mm | -               |
|    | D     | 260        | mm | -               |
|    | $g_3$ | 18         | mm | -               |
|    | $g_T$ | 235        | mm | -               |
|    | h     | 160        | mm | -               |
|    | m     | 450        | mm | -               |
|    | s     | M30        |    | -               |
|    | s     | 31.75      | mm | -               |
|    | u     | 35         | mm | -               |
|    | v     | 42         | mm | -               |

FAG SNV260-F-L + 22324K + H2324X404 + TCV524X404图片







参考资料:<http://www.sozhou.com/p/711a06d1.html>