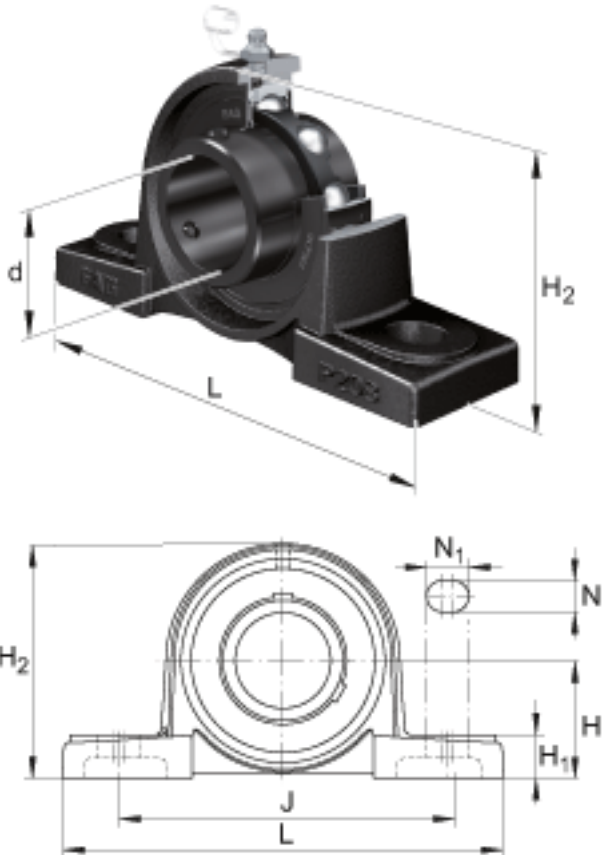
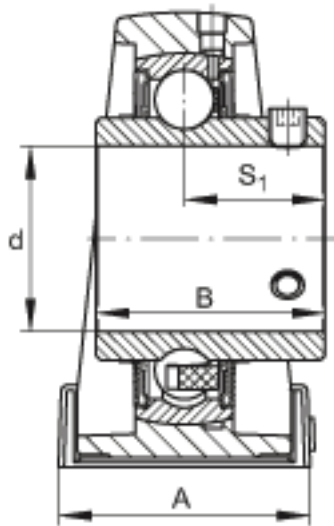


FAG UCP212-39参数

| | | | | |
|----|----------------|----------|------|------------|
| 尺寸 | d | 61.9125 | mm | - |
| | L | 241 | mm | - |
| | H ₂ | 138 | mm | - |
| | A | 70 | mm | - |
| | B | 65.1 | mm | - |
| | H | 69.8 | mm | - |
| | H ₁ | 25 | mm | - |
| | J | 184 | mm | - |
| | N | 20 | mm | - |
| | N ₁ | 25 | mm | - |
| | S ₁ | 39.7 | mm | - |
| | 重量 | m | 4530 | g |
| 说明 | | P212 | | 型号, 轴承座 |
| | | UC212-39 | | 型号, 外球面球轴承 |

FAG UCP212-39图片





参考资料:<http://www.sozhou.com/p/6f86eb50.html>