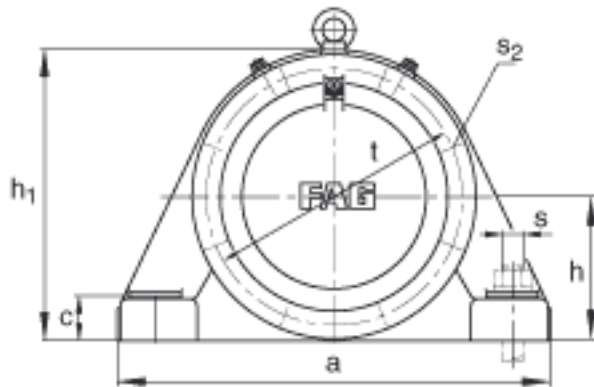
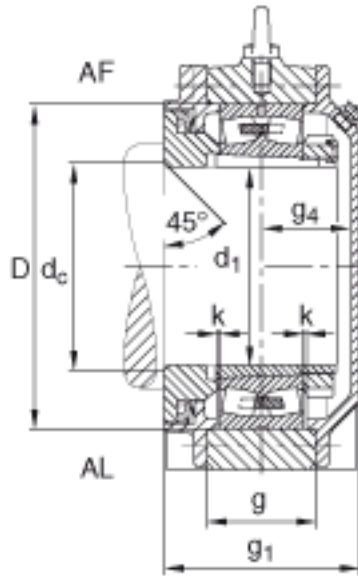
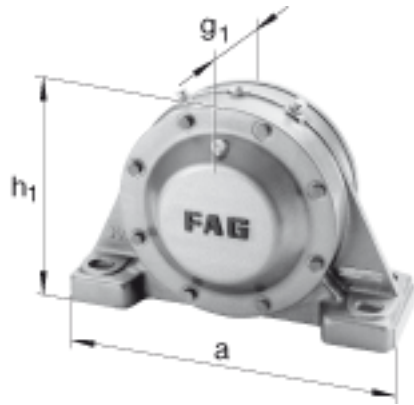


FAG BND3248-H-C-T-AL-S参数

| | | | | |
|----|----------------|-----------|----|---------|
| 尺寸 | d ₁ | 220 | mm | - |
| | a | 900 | mm | - |
| | h ₁ | 585 | mm | - |
| | s ₁ | 308 | mm | - |
| | b | 250 | mm | - |
| | c | 90 | mm | - |
| | D | 440 | mm | - |
| | d _c | 236 | mm | - |
| | g | 190 | mm | - |
| | s ₄ | 140 | mm | - |
| | h | 290 | mm | - |
| | k | 4 | mm | - |
| | m | 750 | mm | - |
| | n | 140 | mm | - |
| | s | M36 | | - |
| 说明 | s ₂ | M20 | | - |
| 尺寸 | t | 510 | mm | - |
| | u | 42 | mm | - |
| | v | 52 | mm | - |
| 说明 | s ₂ | 8 | | 数量 |
| | | 23248K | | 型号, 轴承 |
| 其他 | | H2348X-HG | | 质量, 紧定套 |
| 重量 | m ₁ | 330000 | g | 质量, 轴承座 |
| 说明 | | BND3248 | | 型号, 轴承座 |

FAG BND3248-H-C-T-AL-S图片



参考资料:<http://www.sozhou.com/p/670aa309.html>

