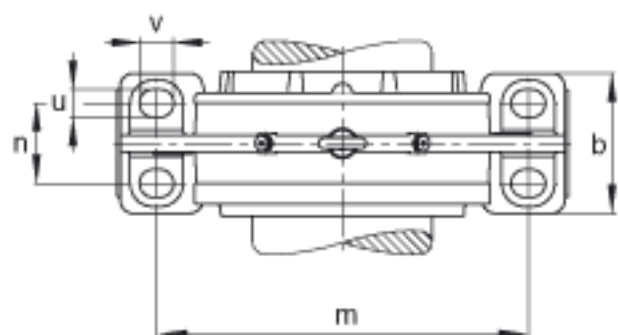
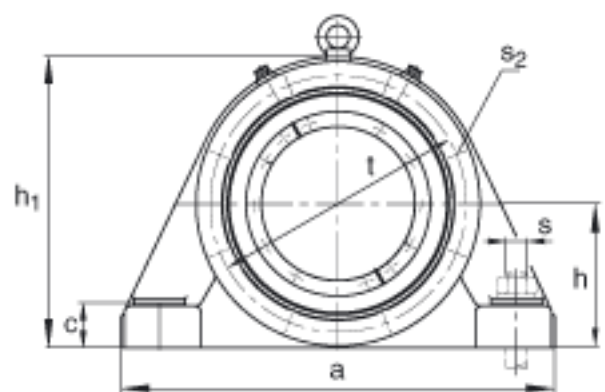
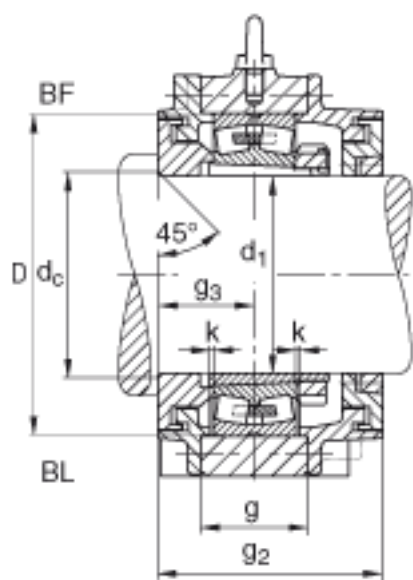


FAG BND2284-H-C-Y-BL-S参数

| | | | | |
|----|----------------|----------|----|---------|
| 尺寸 | d ₁ | 400 | mm | - |
| | a | 1500 | mm | - |
| | h ₁ | 950 | mm | - |
| | s ₂ | 498 | mm | - |
| | b | 470 | mm | - |
| | c | 150 | mm | - |
| | D | 760 | mm | - |
| | d _c | 430 | mm | - |
| | g | 238 | mm | - |
| | s ₃ | 216.5 | mm | - |
| | h | 470 | mm | - |
| | k | 5 | mm | - |
| | m | 1220 | mm | - |
| | n | 255 | mm | - |
| | s | M64 | | - |
| 说明 | s ₂ | M30 | | - |
| 尺寸 | t | 835 | mm | - |
| | u | 72 | mm | - |
| | v | 90 | mm | - |
| 说明 | s ₂ | 8 | | 数量 |
| | | 22284K | | 型号, 轴承 |
| 其他 | | H3184-HG | | 质量, 紧定套 |
| 重量 | m ₁ | 1060000 | g | 质量, 轴承座 |
| 说明 | | BND2284 | | 型号, 轴承座 |

FAG BND2284-H-C-Y-BL-S图片



参考资料:<http://www.sozhou.com/p/5956c52c.html>