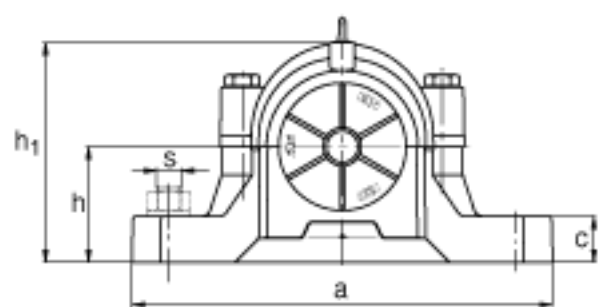
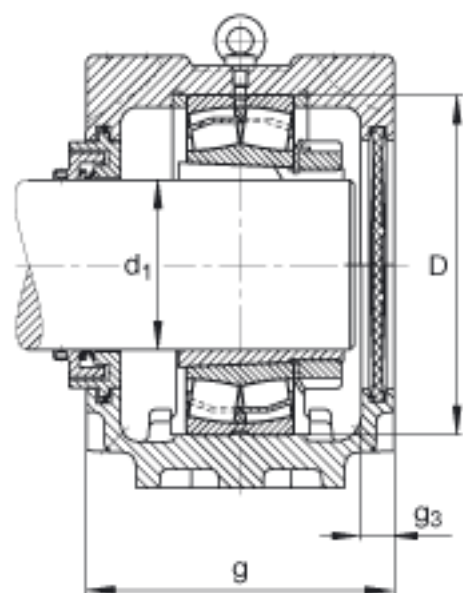
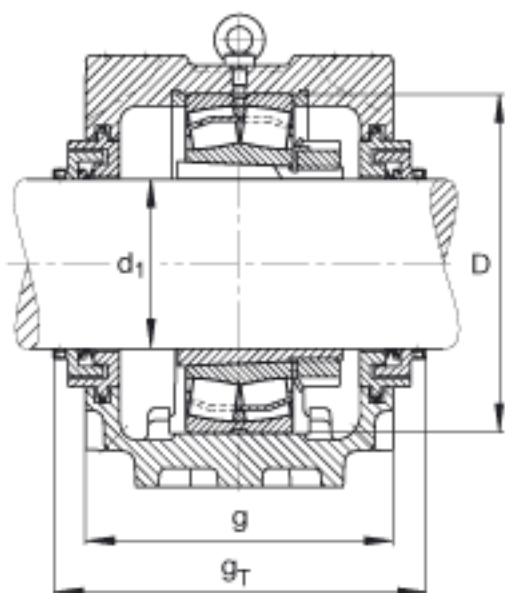


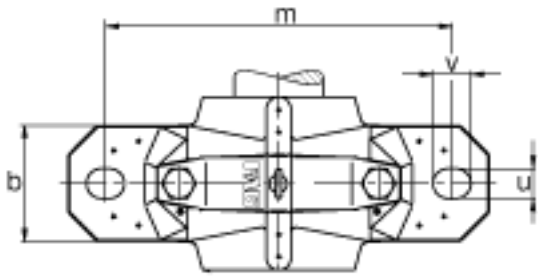
FAG SNV215-F-L + 22320K + H2320X307 + TCV620X307参数

尺寸	d_1	87.3125	mm	-
	a	410	mm	-
	h_1	271	mm	-
	g	180	mm	-
	b	120	mm	-
	c	45	mm	-
	D	215	mm	-
	g_3	16	mm	-
	g_T	224	mm	-
	h	140	mm	-
	m	350	mm	-
	s	M24		-
	s	22.225	mm	-
	u	26	mm	-
	v	32	mm	-
	重量	m_1	24500	g
说明		22320K		型号, 轴承
		H2320X307		质量, 紧定套
		FRM215/6.5		型号, 定位圈
		TCV620.307		型号, Taconite 密封
		DKV215		型号, 端盖
		SNV215-F-L		型号, 轴承座

FAG SNV215-F-L + 22320K + H2320X307 + TCV620X307图片







参考资料:<http://www.sozhou.com/p/55c92d5c.html>