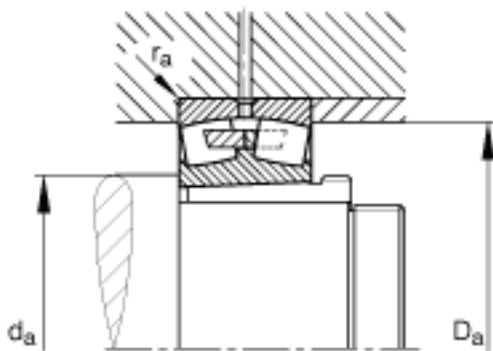
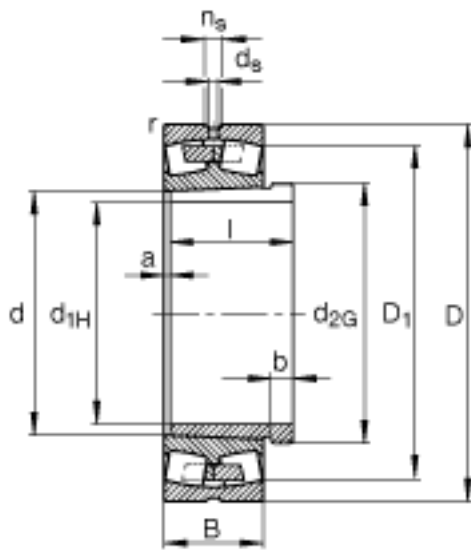
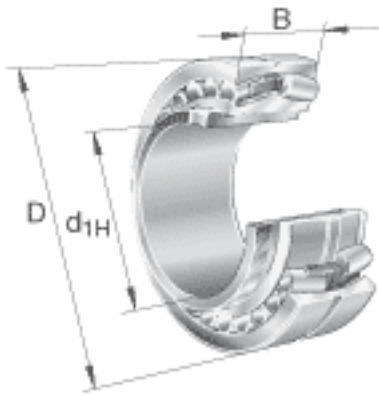


FAG 22244-B-K-MB + AH2244参数

| | | | | |
|--------|--------------|---------|-------|-------------|
| 尺寸 | d_s | 9.5 | mm | - |
| | l | 130 | mm | - |
| | n_s | 17.7 | mm | - |
| | $r_{a\ max}$ | 3 | mm | - |
| | r_{min} | 4 | mm | - |
| 说明 | | AH2244 | | 型号, 退卸套 |
| 重量 | m | 59600 | g | 质量 |
| | m_1 | 9100 | g | 质量, 退卸套 |
| 基本额定载荷 | C_r | 1630000 | N | 基本额定动载荷, 径向 |
| | C_{0r} | 2450000 | N | 基本额定静载荷, 径向 |
| 计算系数 | e | 0.29 | | - |
| | Y_1 | 2.35 | | - |
| | Y_2 | 3.5 | | - |
| | Y_0 | 2.3 | | - |
| 疲劳极限载荷 | C_{ur} | 153000 | N | 疲劳极限载荷, 径向 |
| 极限转速 | n_G | 2110 | r/min | 极限转速 |
| 参考转速 | n_B | 1340 | r/min | 参考速度 |
| 尺寸 | d_{1H} | 200 | mm | - |
| | D | 400 | mm | - |
| | B | 108 | mm | - |
| | a | 6 | mm | - |
| | b | 20 | mm | - |
| | D_1 | 348.7 | mm | - |
| | $D_{a\ max}$ | 383 | mm | - |
| | d | 220 | mm | - |
| | d_{2G} | Tr240x4 | | - |
| | $d_{a\ min}$ | 237 | mm | - |

FAG 22244-B-K-MB + AH2244图片



参考资料:<http://www.sozhou.com/p/4f51abf9.html>