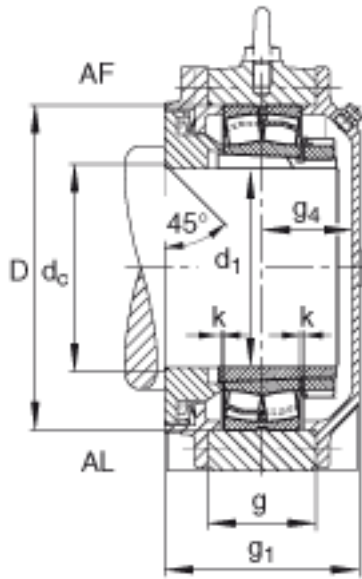


FAG BND3122-H-C-T-AL-S参数

|    |                |         |    |         |
|----|----------------|---------|----|---------|
| 尺寸 | d <sub>1</sub> | 100     | mm | -       |
|    | a              | 400     | mm | -       |
|    | h <sub>1</sub> | 263     | mm | -       |
|    | g <sub>1</sub> | 146     | mm | -       |
|    | b              | 140     | mm | -       |
|    | c              | 40      | mm | -       |
|    | D              | 180     | mm | -       |
|    | d <sub>c</sub> | 108     | mm | -       |
|    | g              | 80      | mm | -       |
|    | g <sub>4</sub> | 62      | mm | -       |
|    | h              | 130     | mm | -       |
|    | k              | 2.5     | mm | -       |
|    | m              | 300     | mm | -       |
|    | n              | 80      | mm | -       |
|    | s              | M20     |    | -       |
| 说明 | s <sub>2</sub> | M12     |    | -       |
| 尺寸 | t              | 215     | mm | -       |
|    | u              | 25      | mm | -       |
|    | v              | 35      | mm | -       |
| 说明 | s <sub>2</sub> | 8       |    | 数量      |
|    |                | 23122K  |    | 型号, 轴承  |
| 其他 |                | H3122   |    | 质量, 紧定套 |
| 重量 | m <sub>1</sub> | 40000   | g  | 质量, 轴承座 |
| 说明 |                | BND3122 |    | 型号, 轴承座 |

FAG BND3122-H-C-T-AL-S图片



参考资料:<http://www.sozhou.com/p/4afe5619.html>

