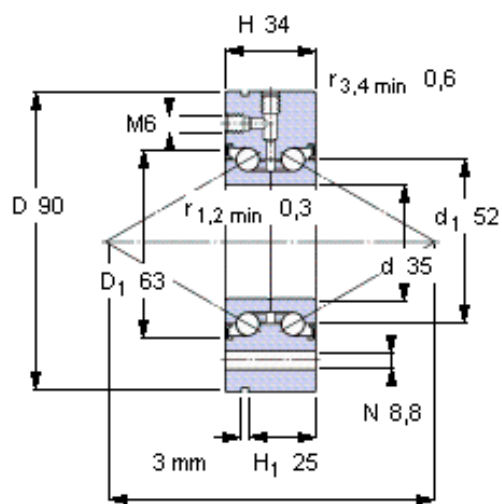


### SKF BEAM 035090-2RZ参数

主要尺寸	d	35	mm	-
	D	90	mm	-
	H	34	mm	-
基本额定载荷	C	41000	N	动载荷
	$C_0$	88000	N	静载荷
疲劳载荷极限	$P_u$	3250	N	-
可达转速	Attainable speed	4000	r/min	-
重量	重量	1150	g	-
型号	型号	BEAM 035090-2RZ	-	-

### SKF BEAM 035090-2RZ图片



**Preload<sup>1)</sup> [N]**

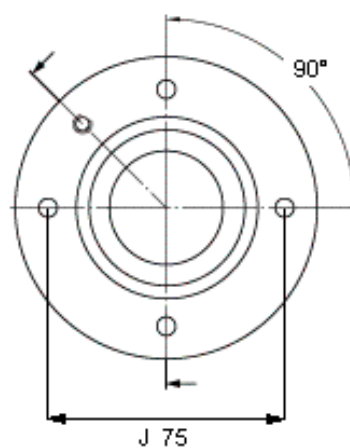
2250

**Frictional moment<sup>1)</sup> [Nm]**

(guideline value)

0,3

<sup>1)</sup> Values apply to unmounted bearings



**Static stiffness<sup>1)</sup>**

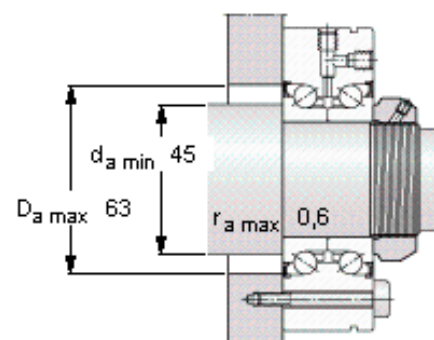
(guideline values)

Axial [N/μm]

900

Moment [Nm/mrad]

400

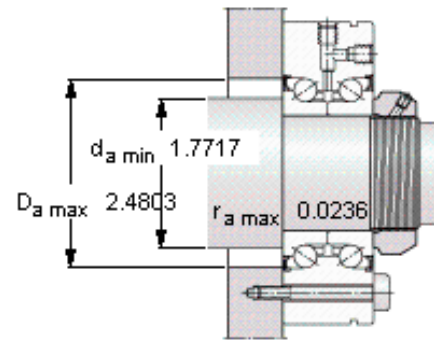
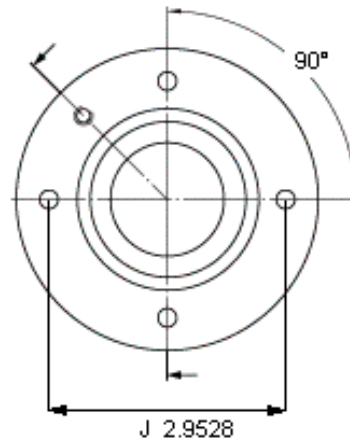
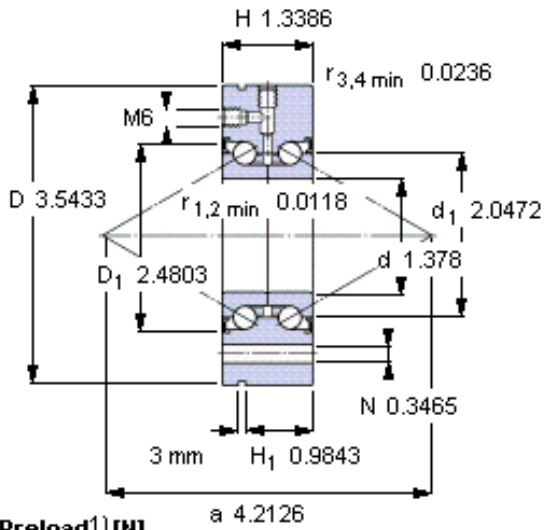


**Required attachment bolts**

(no. of bolts x pitch)

4 x 90°

参考资料: <http://www.sozhou.com/p/4ae34560.html>



**Preload<sup>1)</sup> [N]**

2250

**Frictional moment<sup>1)</sup> [Nm]**

(guideline value)

0,3

<sup>1)</sup> Values apply to unmounted bearings

**Static stiffness<sup>1)</sup>**

(guideline values)

Axial [N/μm] 900

Moment [Nm/mrad] 400

**Required attachment bolts**

(no. of bolts x pitch)

4 x 90°