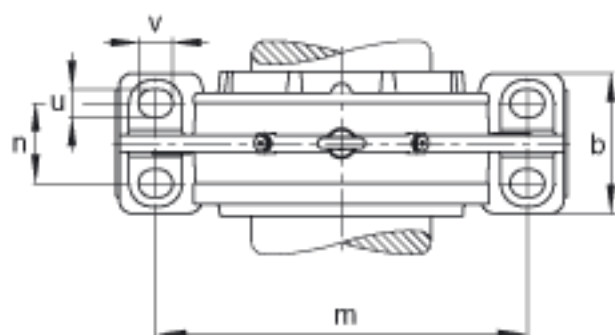
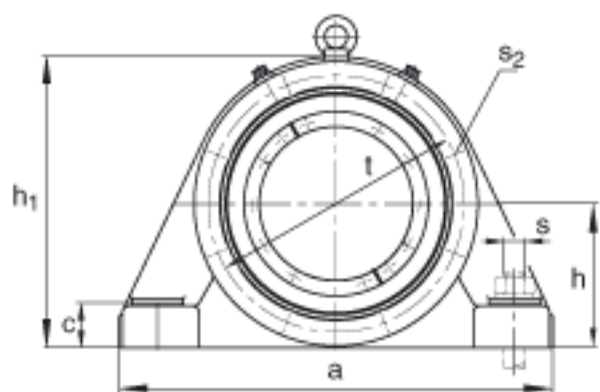
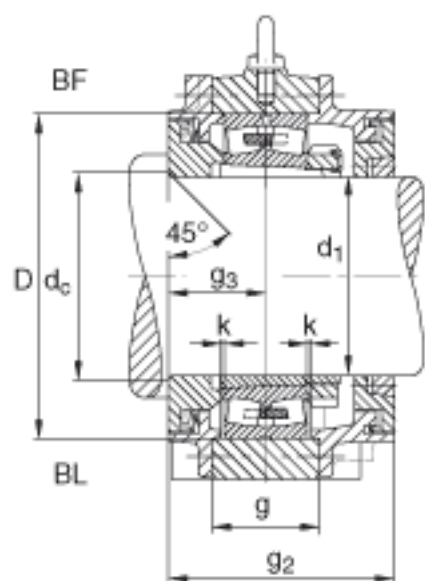
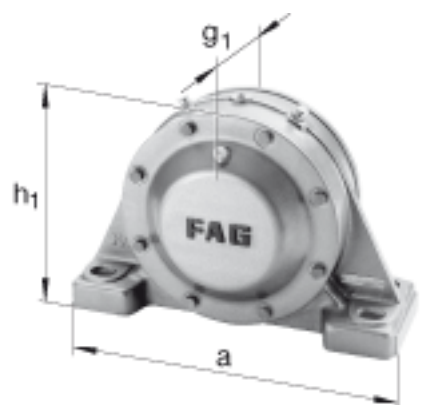


FAG BND3084-H-C-T-BF-S参数

| | | | | |
|----|----------------|-----------|----|---------|
| 尺寸 | d ₁ | 400 | mm | - |
| | a | 1100 | mm | - |
| | h ₁ | 755 | mm | - |
| | s ₂ | 350 | mm | - |
| | b | 340 | mm | - |
| | c | 115 | mm | - |
| | D | 620 | mm | - |
| | d _c | 420 | mm | - |
| | g | 180 | mm | - |
| | s ₃ | 150 | mm | - |
| | h | 375 | mm | - |
| | m | 940 | mm | - |
| | n | 210 | mm | - |
| | s | M48 | | - |
| 说明 | s ₂ | M20 | | - |
| 尺寸 | t | 670 | mm | - |
| | u | 56 | mm | - |
| | v | 75 | mm | - |
| 说明 | s ₂ | 8 | | 数量 |
| | | 23084K | | 型号, 轴承 |
| 其他 | | H3084X-HG | | 质量, 紧定套 |
| 重量 | m ₁ | 435000 | g | 质量, 轴承座 |
| 说明 | | BND3084 | | 型号, 轴承座 |

FAG BND3084-H-C-T-BF-S图片



参考资料:<http://www.sozhou.com/p/4ad196ba.html>