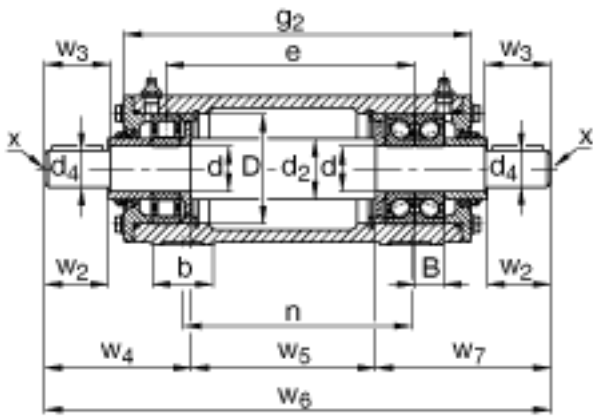


FAG VRE309-C参数

| | | | | |
|----------------|----------------|----------------|----|------------|
| 尺寸 | d | 45 | mm | - |
| | a | 210 | mm | - |
| | h ₁ | 135 | mm | - |
| | g ₂ | 343 | mm | - |
| | B | 25 | mm | - |
| | b | 52 | mm | - |
| | c | 22 | mm | - |
| | D | 100 | mm | - |
| | d ₂ | 55 | mm | - |
| | d ₄ | 38 | mm | - |
| | e | 269.5 | mm | - |
| | h | 70 | mm | - |
| | m | 170 | mm | - |
| | n | 250 | mm | - |
| | s | M12 | | - |
| | w ₂ | 80 | mm | - |
| | w ₃ | 82 | mm | - |
| | w ₄ | 145 | mm | - |
| | w ₅ | 212 | mm | - |
| | w ₆ | 527 | mm | - |
| w ₇ | 170 | mm | - | |
| 说明 | | NU309-E-TVP2 | | 型号, 轴承, 左侧 |
| | | 2 x 7309-B-TVP | | 型号, 轴承, 右侧 |
| | | VR309-C | | 轴承座 |
| | | VRW309-C | | 轴, 完全 |
| 重量 | m ₁ | 15300 | g | 质量, 轴承座 |
| | m ₂ | 25300 | g | 质量, 单元 |
| 说明 | | VRE3 | | 型号, 轴承单元系列 |

FAG VRE309-C图片



参考资料:<http://www.sozhou.com/p/48578019.html>