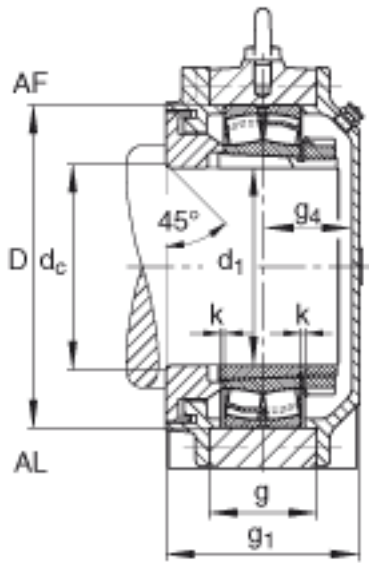


FAG BND3126-H-C-Y-AF-S参数

| | | | | |
|----|----------------|---------|----|---------|
| 尺寸 | d ₁ | 115 | mm | - |
| | a | 430 | mm | - |
| | h ₁ | 295 | mm | - |
| | s ₁ | 165 | mm | - |
| | b | 150 | mm | - |
| | c | 40 | mm | - |
| | D | 210 | mm | - |
| | d _c | 123 | mm | - |
| | g | 90 | mm | - |
| | s ₄ | 72 | mm | - |
| | h | 145 | mm | - |
| | m | 350 | mm | - |
| | n | 80 | mm | - |
| | s | M20 | | - |
| 说明 | s ₂ | M12 | | - |
| 尺寸 | t | 245 | mm | - |
| | u | 25 | mm | - |
| | v | 35 | mm | - |
| 说明 | s ₂ | 8 | | 数量 |
| | | 23126K | | 型号, 轴承 |
| 其他 | | H3126 | | 质量, 紧定套 |
| 重量 | m ₁ | 55000 | g | 质量, 轴承座 |
| 说明 | | BND3126 | | 型号, 轴承座 |

FAG BND3126-H-C-Y-AF-S图片



参考资料:<http://www.sozhou.com/p/45bd4b5c.html>

