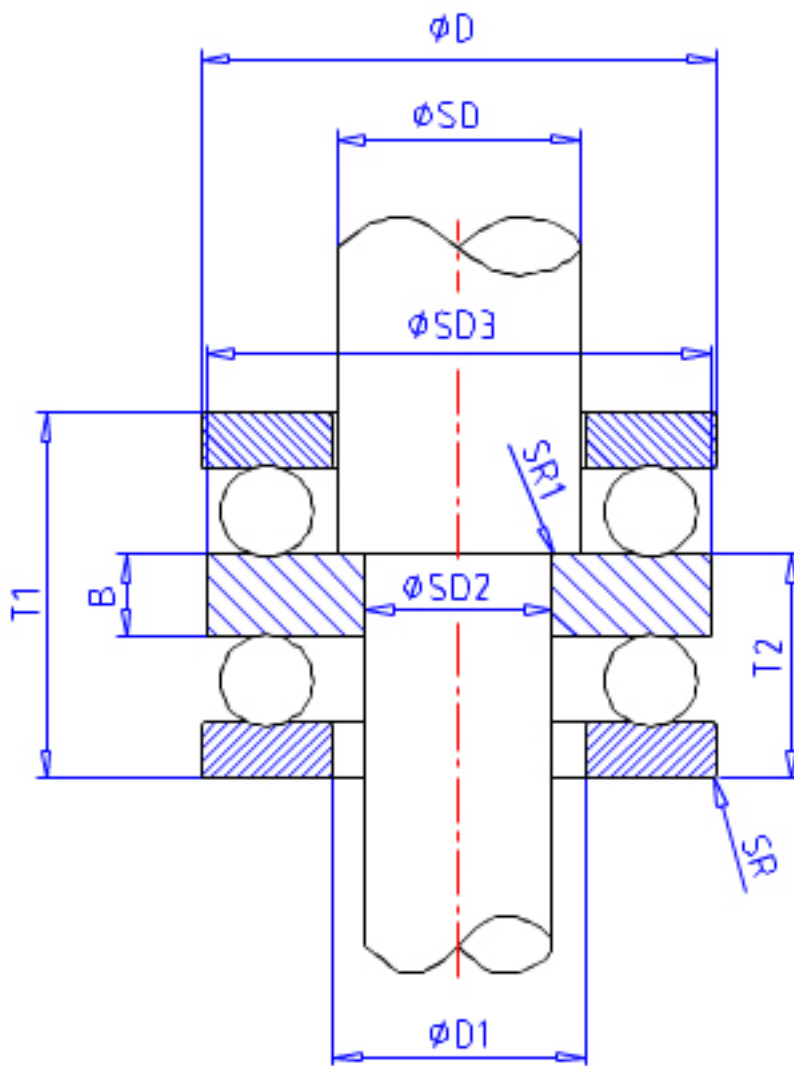


## NSK 52208参数

|        |      |       |       |      |
|--------|------|-------|-------|------|
| 型号     | 型号   | 52208 |       | -    |
| 外形尺寸   | SD2  | 30    | mm    | 内径   |
|        | SD   | 40    | mm    | 外径   |
|        | D    | 68    | mm    | 宽度   |
|        | T1   | 36    | mm    | -    |
|        | T5   | 38.6  | mm    | -    |
|        | T7   | 44    | mm    | -    |
|        | SR   | 1.0   | mm    | (最小) |
|        | SR1  | 0.6   | mm    | (最小) |
| 基本额定载荷 | CAN  | 47500 | N     | 动载荷  |
|        | COAN | 98500 | N     | 静载荷  |
|        | CA   | 4850  | kgf   | 动载荷  |
|        | COA  | 10000 | kgf   | 静载荷  |
| 极限转速   | GRE  | 2600  | 1/min | 脂润滑  |
|        | OIL  | 3800  | 1/min | 油润滑  |
| 尺寸     | SD3  | 68.0  | mm    | -    |
|        | D1   | 42    | mm    | -    |
|        | D2   | 55    | mm    | -    |
|        | D3   | 72    | mm    | -    |
|        | T2   | 22.5  | mm    | -    |
|        | T6   | 23.8  | mm    | -    |
|        | T8   | 26.5  | mm    | -    |
|        | B    | 9     | mm    | -    |
|        | SB   | 7.0   | mm    | -    |
|        | A1   | 25.0  | mm    | -    |
|        | R    | 56    | mm    | -    |
|        | 安装尺寸 | DA    | 55    | mm   |
| SRA    |      | 1.0   | mm    | (最大) |
| SRB    |      | 0.6   | mm    | (最大) |
| 重量     | MASS | 543   | g     | 重量   |

## NSK 52208图片



参考资料:<http://www.sozhou.com/p/458c7f6f.html>

