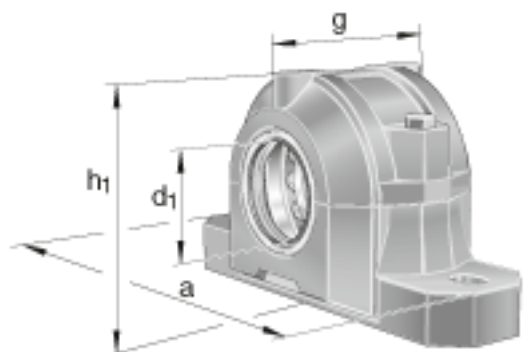
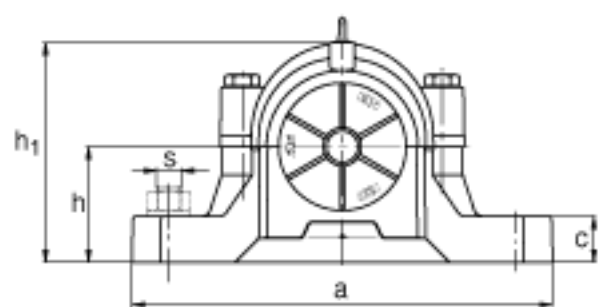
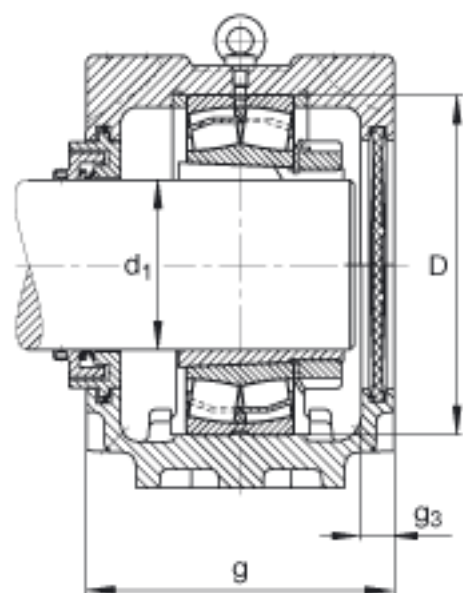
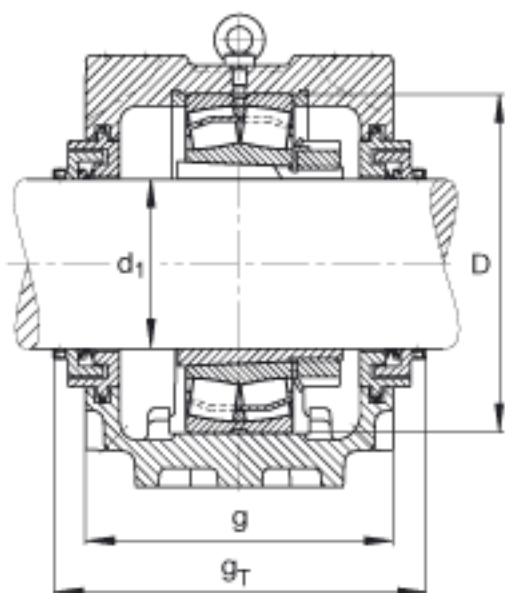


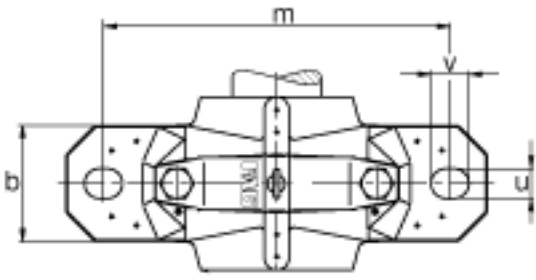
FAG SNV290-F-L + 23232K + H2332X508 + TCV532参数

| | | | | |
|----|------------|-----------|-------|-----------------|
| 尺寸 | d_1 | 139.7 | mm | - |
| | a | 550 | mm | - |
| | h_1 | 351 | mm | - |
| | g | 225 | mm | - |
| | b | 160 | mm | - |
| | c | 60 | mm | - |
| | D | 290 | mm | - |
| | g_3 | 18 | mm | - |
| | g_T | 270 | mm | - |
| | h | 170 | mm | - |
| | m | 470 | mm | - |
| | s | M30 | | - |
| | s | 31.75 | mm | - |
| | u | 35 | mm | - |
| | v | 42 | mm | - |
| | 重量 | m_1 | 53800 | g |
| 说明 | | 23232K | | 型号, 轴承 |
| | | H2332X508 | | 质量, 紧定套 |
| | | FRM290/5 | | 型号, 定位圈 |
| | | TCV532 | | 型号, Taconite 密封 |
| | | DKV290 | | 型号, 端盖 |
| | SNV290-F-L | | | 型号, 轴承座 |

FAG SNV290-F-L + 23232K + H2332X508 + TCV532图片







参考资料:<http://www.sozhou.com/p/44c0483f.html>