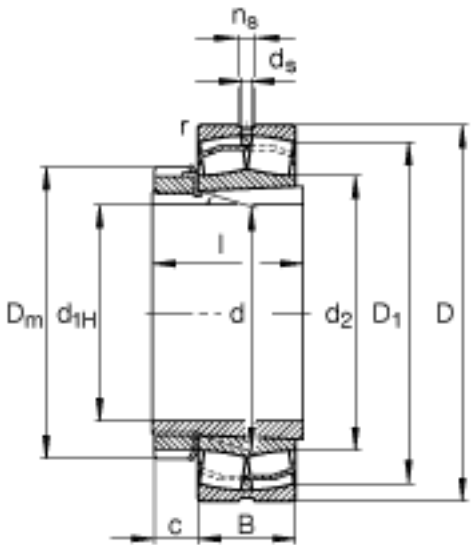
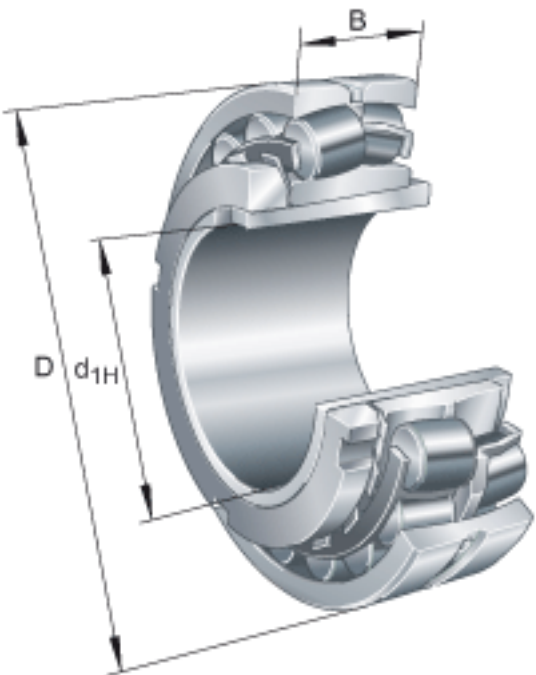


FAG 21320-E1-K-TVPB + H320参数

| | | | | | |
|--------|--------------|--------|--------|-------------|-------------|
| 计算系数 | Y_2 | 4.67 | | - | |
| 基本额定载荷 | C_{0r} | 530000 | N | 基本额定静载荷, 径向 | |
| 计算系数 | Y_0 | 3.07 | | - | |
| 极限转速 | n_G | 4400 | r/min | 极限转速 | |
| 参考转速 | n_B | 3100 | r/min | 参考速度 | |
| 疲劳极限载荷 | C_{ur} | 61000 | N | 疲劳极限载荷, 径向 | |
| 尺寸 | d_{1H} | 90 | mm | - | |
| | D | 215 | mm | - | |
| | B | 47 | mm | - | |
| | $B_{a \min}$ | 7 | mm | - | |
| | c | 20 | mm | - | |
| | D_1 | 182 | mm | - | |
| | $D_{a \max}$ | 201 | mm | - | |
| | D_m | 130 | mm | - | |
| | d | 100 | mm | - | |
| | d_2 | 132 | mm | - | |
| | $d_{a \max}$ | 131 | mm | - | |
| | $d_{b \min}$ | 108 | mm | - | |
| | d_s | 4.8 | mm | - | |
| | l | 71 | mm | - | |
| | n_s | 9.5 | mm | - | |
| | 基本额定载荷 | C_r | 495000 | N | 基本额定动载荷, 径向 |
| | 计算系数 | e | 0.22 | | - |
| Y_1 | | 3.14 | | - | |
| 重量 | m_1 | 1730 | g | 质量, 紧定套 | |
| 尺寸 | $r_{a \max}$ | 2.5 | mm | - | |
| | r_{\min} | 3 | mm | - | |

| | | | | |
|----|---|------|---|---------|
| 说明 | | H320 | | 质量, 紧定套 |
| 重量 | m | 8080 | g | 质量 |

FAG 21320-E1-K-TVPB + H320图片



参考资料:<http://www.sozhou.com/p/3d177a0d.html>

