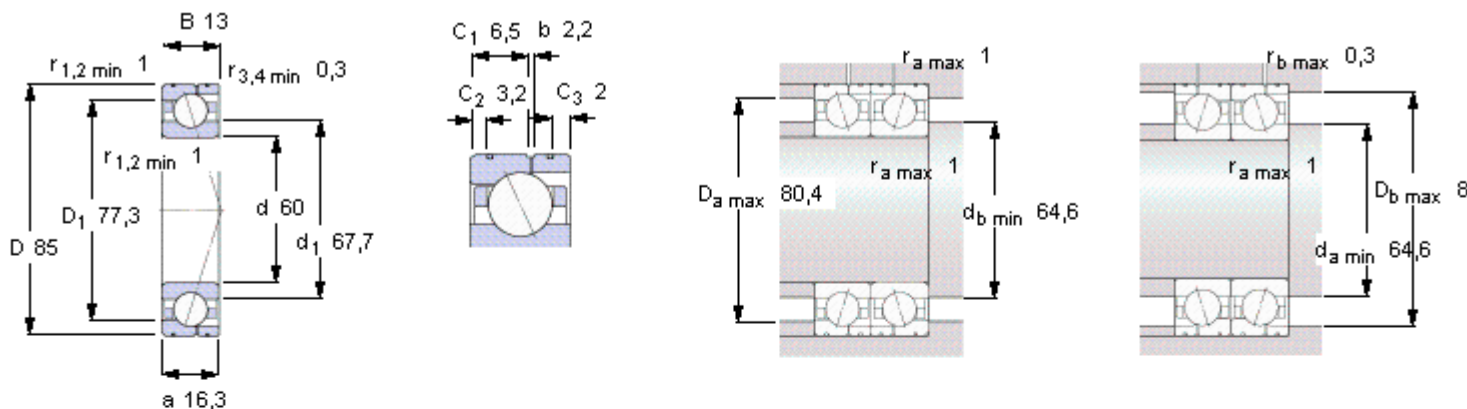


### SKF 71912 CD/HCP4AL 参数

主要尺寸	d	60	mm	-
	D	85	mm	-
	B	13	mm	-
基本额定载荷	C	19900	N	动载荷
	$C_0$	15300	N	静载荷
疲劳载荷极限	$P_u$	655	N	-
可达转速	Grease	18000	r/min	-
	Oil-air	28000	r/min	-
重量	重量	160	g	-
型号	型号	71912 CD/HCP4AL	-	-

### SKF 71912 CD/HCP4AL 图片



**Ball diameter** 7,938

**Number of balls** 24

#### 未安装时的预载荷 [N]

背对背配置，面对面配置

预载荷等级

A	B	C	D
70	140	280	560

#### Static axial stiffness [N/μm]

(guideline value)

预载荷等级

A	B	C	D
56	74	102	145

#### Reference grease quantity [cm<sup>3</sup>]

$G_{ref} = 2,7$

#### 计算系数

for equivalent bearing load

$f_0 = 10,5$

for preload in mounted bearing sets

$f = 1,17$

$f_1 = 1$

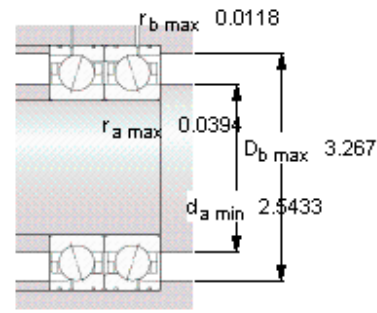
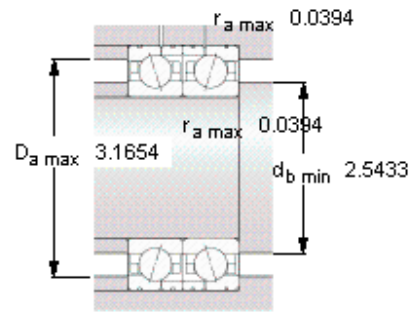
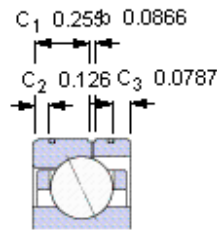
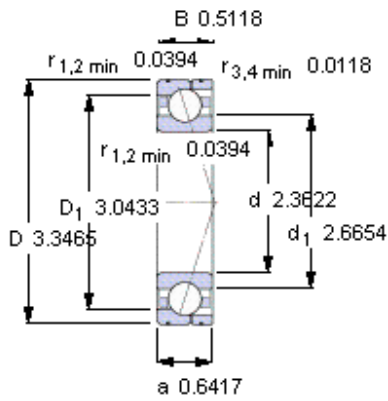
$f_{2A} = 1$

$f_{2B} = 1,07$

$f_{2C} = 1,12$

$f_{2D} = 1,18$

$f_{HC} = 1,04$



**Ball diameter** 7,938

**Number of balls** 24

**未安装时的预载荷 [N]**

背对背配置，面对面配置

预载荷等级

A	B	C	D
70	140	280	560

**Static axial stiffness [N/μm]**

(guideline value)

预载荷等级

A	B	C	D
56	74	102	145

**Reference grease quantity [cm<sup>3</sup>]**

G<sub>ref</sub> 2,7

**计算系数**

**for equivalent bearing load**

f<sub>0</sub> 10,5

**for preload in mounted bearing sets**

f 1,17

f<sub>1</sub> 1

f<sub>2A</sub> 1

f<sub>2B</sub> 1,07

f<sub>2C</sub> 1,12

f<sub>2D</sub> 1,18

f<sub>HC</sub> 1,04