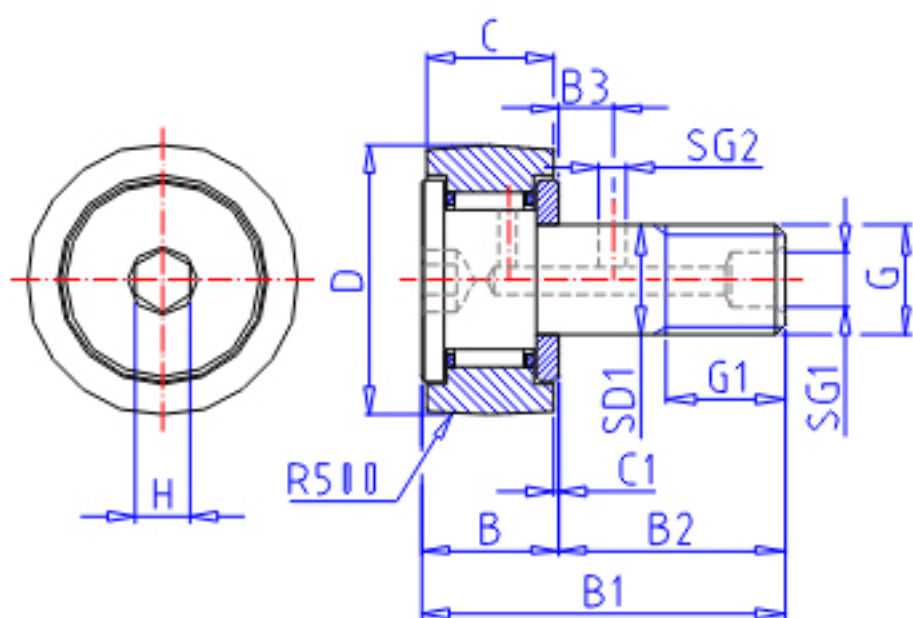


### IKO CF 6FBR参数

|          |        |         |      |          |   |
|----------|--------|---------|------|----------|---|
| 杆端直径     | STDRT  | 6       | mm   | 杆端直径     |   |
| 型号       | ORDER  | CF 6FBR |      | 型号       |   |
| 重量       | MASS   | 18.5    | g    | 重量       |   |
| 主要尺寸     | D      | 16      | mm   | -        |   |
|          | C      | 11      | mm   | -        |   |
|          | SD1    | 6       | mm   | -        |   |
|          | G      | M6x1    |      | 螺纹规格     |   |
|          | G1     | 8.0     | mm   | 螺纹尺寸     |   |
|          | B      | 12.2    | mm   | -        |   |
|          | B1     | 28.2    | mm   | -        |   |
|          | B2     | 16.0    | mm   | -        |   |
|          | B3     | -       | mm   | -        |   |
|          | C1     | 0.6     | mm   | -        |   |
|          | SG1    | -       | mm   | -        |   |
|          | SG2    | -       | mm   | -        |   |
|          | H      | 3.0     | mm   | -        |   |
|          | SR     | -       | mm   | (最小)     |   |
|          | 安装尺寸   | SF      | 11.0 | mm       | - |
|          | 最大拧紧扭矩 | TRQ     | 2.70 | N. m     | - |
| 基本额定载荷   | CR     | 2930    | N    | 动载荷      |   |
|          | COR    | 2920    | N    | 静载荷      |   |
| 最大静态容许负荷 | FMAX   | 1950    | N    | 最大静态容许负荷 |   |

### IKO CF 6FBR图片



CF...FBR



参考资料:<http://www.sozhou.com/p/354e2737.html>

