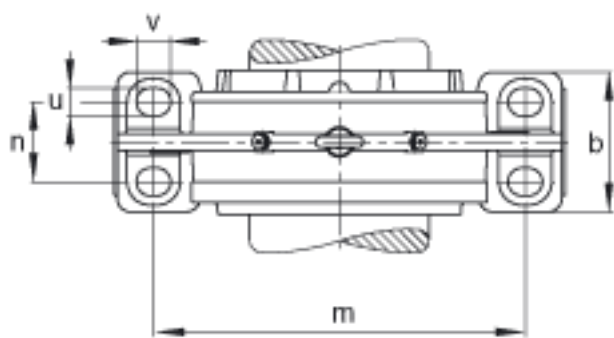
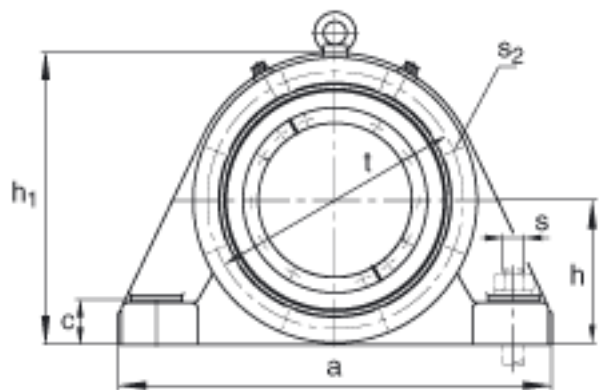
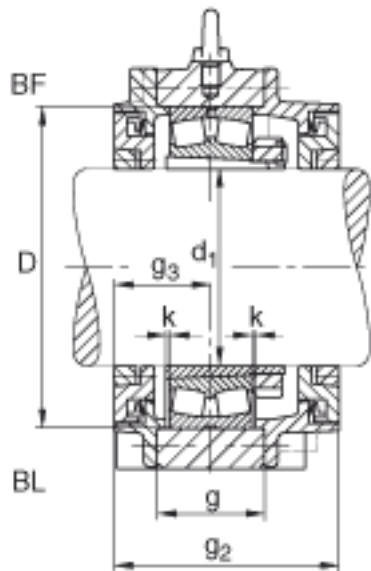


FAG BND3264-H-W-T-BF-S参数

|    |                |          |    |         |
|----|----------------|----------|----|---------|
| 尺寸 | b              | 360      | mm | -       |
|    | c              | 115      | mm | -       |
|    | D              | 580      | mm | -       |
|    | g              | 238      | mm | -       |
|    | g <sub>3</sub> | 192      | mm | -       |
|    | h              | 370      | mm | -       |
|    | m              | 960      | mm | -       |
|    | n              | 200      | mm | -       |
|    | s              | M48      |    | -       |
| 说明 | s <sub>2</sub> | M24      |    | -       |
| 尺寸 | t              | 640      | mm | -       |
|    | u              | 56       | mm | -       |
|    | v              | 75       | mm | -       |
| 说明 | s <sub>2</sub> | 8        |    | 数量      |
|    |                | 23264K   |    | 型号, 轴承  |
| 其他 |                | H3264-HG |    | 质量, 紧定套 |
| 重量 | m <sub>1</sub> | 665000   | g  | 质量, 轴承座 |
| 说明 |                | BND3264  |    | 型号, 轴承座 |
| 尺寸 | d <sub>1</sub> | 300      | mm | -       |
|    | a              | 1150     | mm | -       |
|    | h <sub>1</sub> | 745      | mm | -       |
|    | g <sub>2</sub> | 439      | mm | -       |

FAG BND3264-H-W-T-BF-S图片





参考资料:<http://www.sozhou.com/p/2e9fc8c6.html>