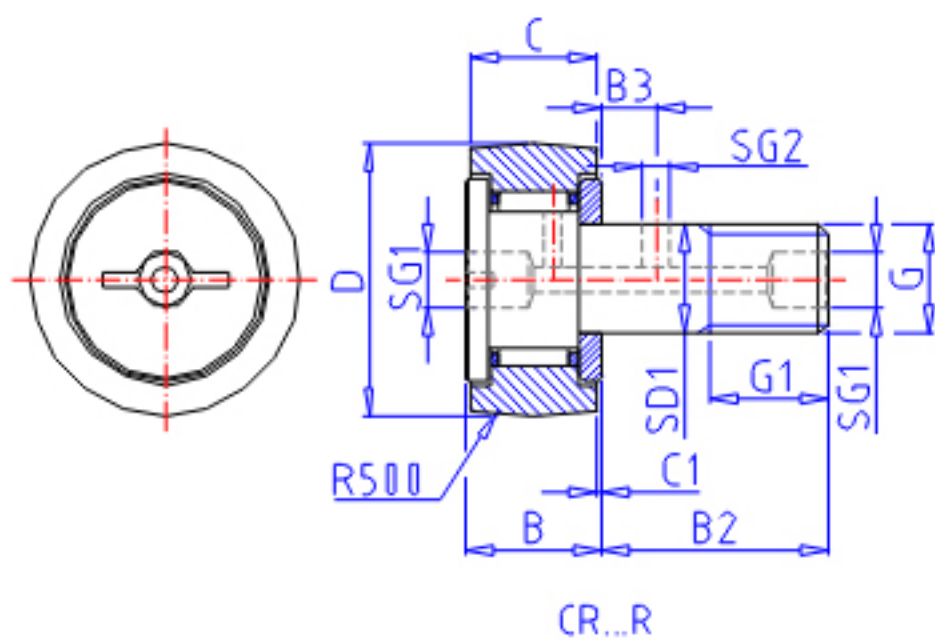
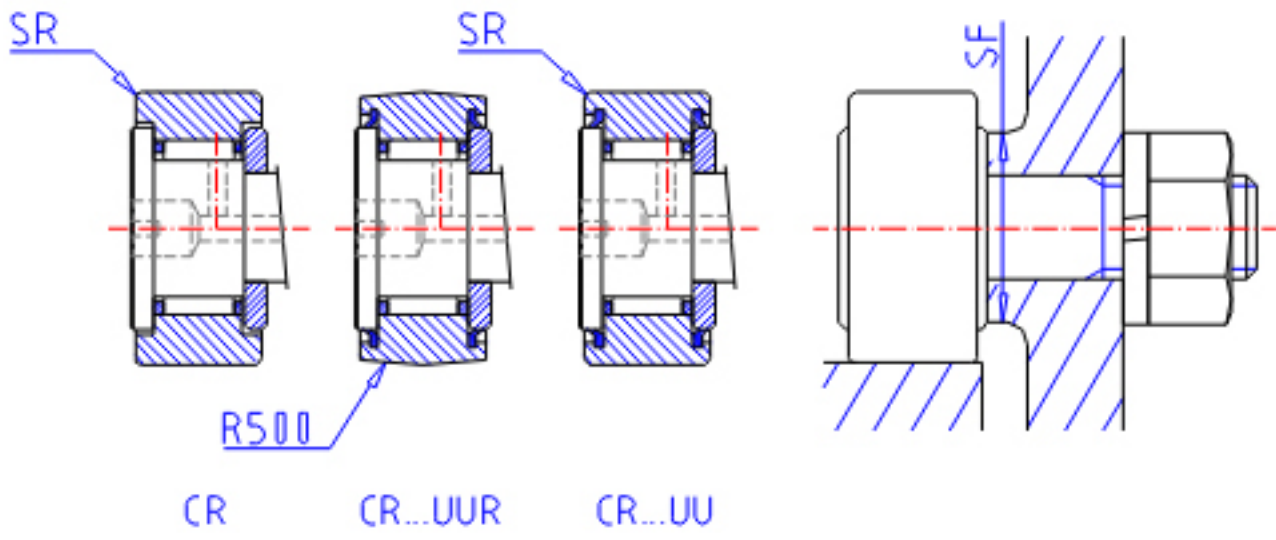


IKO CR 8UU参数

| | | | | | |
|--------|--------|-----------|-------|------|---|
| 杆端直径 | STDRT | 4.826 | mm | 杆端直径 | |
| 型号 | ORDER | CR 8UU | | 型号 | |
| 重量 | MASS | 9 | g | 重量 | |
| 主要尺寸 | D | 12.700 | mm | - | |
| | C | 8.731 | mm | - | |
| | SD1 | 4.826 | mm | - | |
| | G | No. 10-32 | | 螺纹规格 | |
| | G1 | 6.350 | mm | 螺纹尺寸 | |
| | B | 10.2 | mm | - | |
| | B2 | 12.700 | mm | - | |
| | B3 | - | mm | - | |
| | C1 | 0.794 | mm | - | |
| | SG1 | 3.175 | mm | - | |
| | SG2 | - | mm | - | |
| | SR | 0.397 | mm | (最小) | |
| | 安装尺寸 | SF | 8.334 | mm | - |
| | 最大拧紧扭矩 | TRQ | 1.4 | N. m | - |
| 基本额定载荷 | CR | 2520 | N | 动载荷 | |
| | COR | 2140 | N | 静载荷 | |

IKO CR 8UU图片





参考资料:<http://www.sozhou.com/p/2c398843.html>

