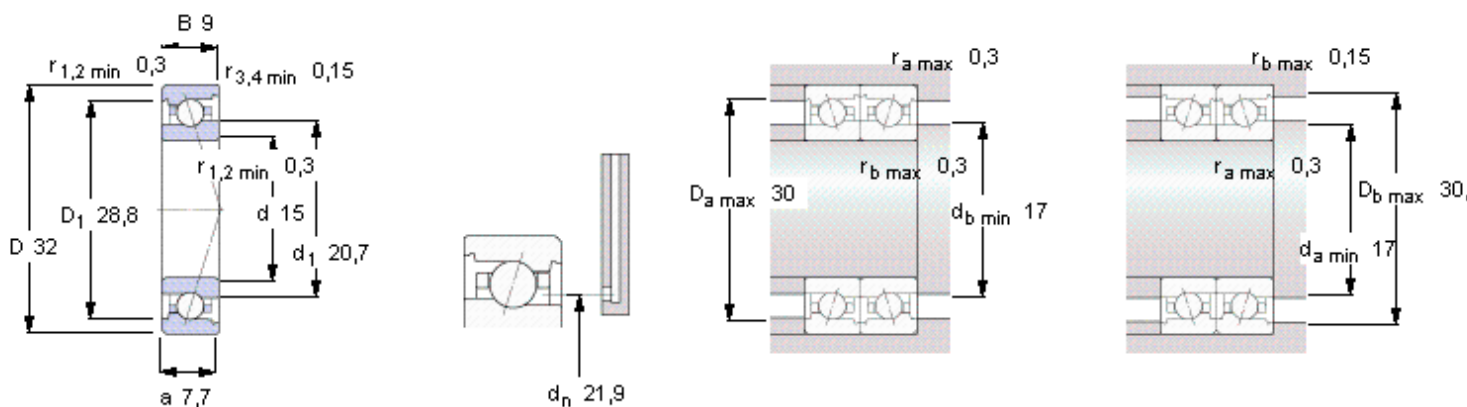


SKF 7002 CE/P4A参数

主要尺寸	d	15	mm	-
	D	32	mm	-
	B	9	mm	-
基本额定载荷	C	4420	N	动载荷
	C_0	1930	N	静载荷
疲劳载荷极限	P_u	80	N	-
可达转速	Grease	68000	r/min	-
	Oil-air	106000	r/min	-
重量	重量	28	g	-
型号	型号	7002 CE/P4A	-	-

SKF 7002 CE/P4A图片



Ball diameter 4,762
Number of balls 12

未安装时的预载荷 [N]
背对背配置，面对面配置
预载荷等级

A	B	C	D
25	70	140	-

Static axial stiffness [N/ μm]
(guideline value)

预载荷等级

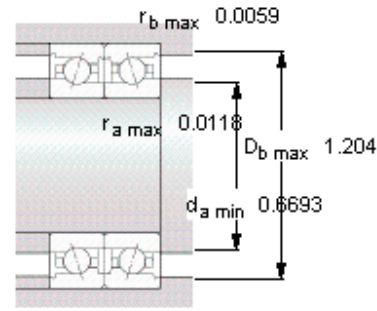
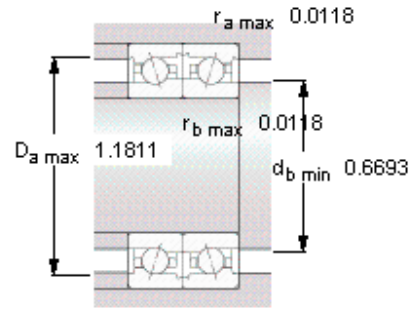
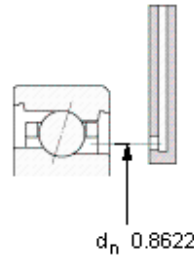
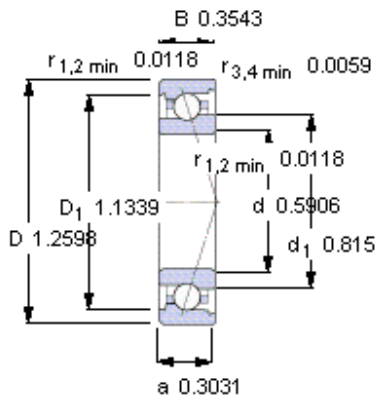
A	B	C	D
16	25	34	-

Reference grease quantity [cm³]
 G_{ref} 0,5

计算系数
for equivalent bearing load
 f_0 7,3

for preload in mounted bearing sets
 f 1,03
 f_1 1
 f_{2A} 1
 f_{2B} 1,03
 f_{2C} 1,05
 f_{2D} -
 f_{HC} 1

参考资料: <http://www.sozhou.com/p/20b9a62e.html>



Ball diameter 4,762

Number of balls 12

未安装时的预载荷 [N]

背对背配置，面对面配置

预载荷等级

A	B	C	D
25	70	140	-

Static axial stiffness [N/μm]

(guideline value)

预载荷等级

A	B	C	D
16	25	34	-

Reference grease quantity [cm³]

G_{ref} 0,5

计算系数

for equivalent bearing load

f₀ 7,3

for preload in mounted bearing sets

f 1,03

f₁ 1

f_{2A} 1

f_{2B} 1,03

f_{2C} 1,05

f_{2D} -

f_{HC} 1