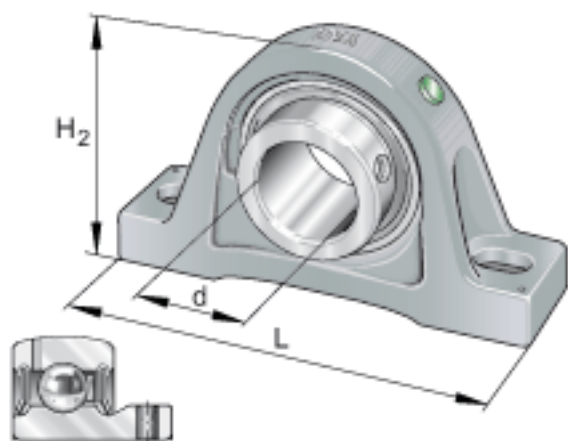
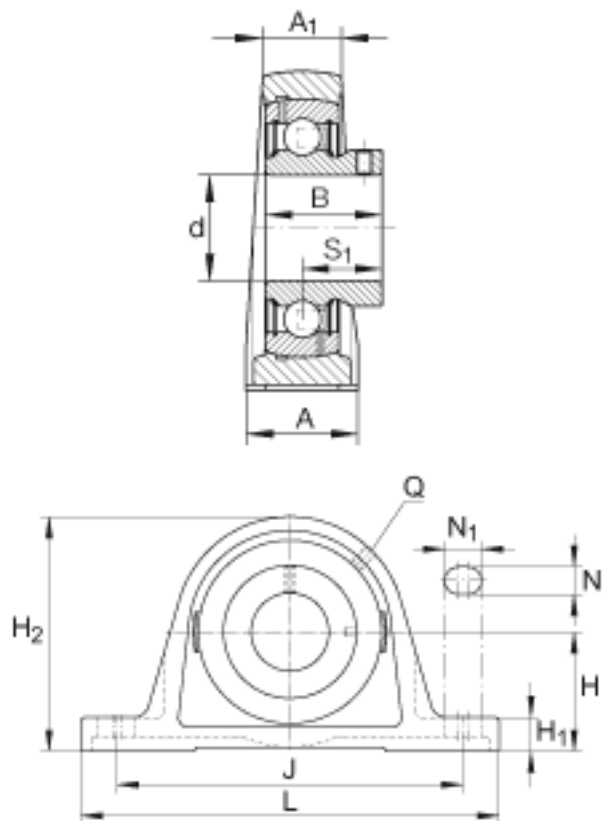


INA PASEY45参数

| | | | | |
|--------|-----------------|-------------|------|------------|
| 尺寸 | d | 45 | mm | - |
| | L | 192 | mm | - |
| | H ₂ | 107 | mm | - |
| | A | 48 | mm | - |
| | A ₁ | 32 | mm | - |
| | B | 41.5 | mm | - |
| | H | 54 | mm | - |
| | H ₁ | 21.5 | mm | - |
| | J | 150 | mm | - |
| | N | 14 | mm | - |
| | N ₁ | 29 | mm | - |
| | Q | Rp 1/8 | | - |
| | S ₁ | 30.5 | mm | - |
| | 重量 | m | 2060 | g |
| 基本额定载荷 | C _r | 32500 | N | 基本额定动载荷，径向 |
| | C _{0r} | 20400 | N | 基本额定静载荷，径向 |
| 说明 | | GG. ASE09 | | 轴承座的型号 |
| | | GAY45-NPP-B | | 轴承的型号 |

INA PASEY45图片





参考资料:<http://www.sozhou.com/p/1d1a4871.html>