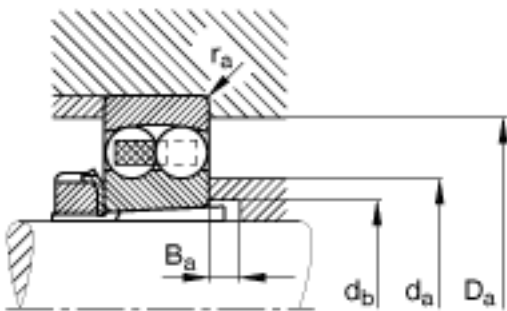
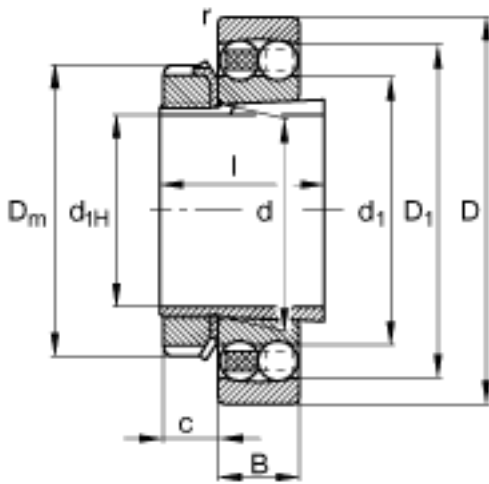
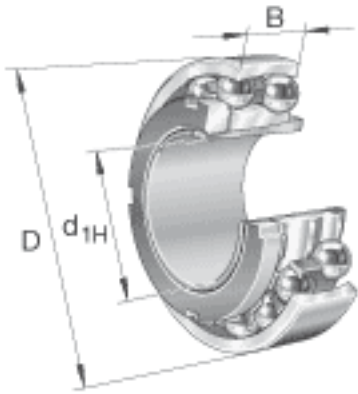


FAG 2212-K-TVH-C3 + H312参数

| | | | | |
|--------|--------------|-------|-------|-------------|
| 尺寸 | $d_{a \max}$ | 73 | mm | - |
| | $d_{b \min}$ | 65 | mm | - |
| | l | 47 | mm | - |
| | $r_{a \max}$ | 1.5 | mm | - |
| | $r_{s \min}$ | 1.5 | mm | - |
| 说明 | | H312 | | 质量, 紧定套 |
| 重量 | m | 1030 | g | 质量 |
| | m_1 | 400 | g | 质量, 紧定套 |
| 基本额定载荷 | C_r | 48000 | N | 基本额定动载荷, 径向 |
| 尺寸 | d_{1H} | 55 | mm | - |
| | D | 110 | mm | - |
| | B | 28 | mm | - |
| | $B_{a \min}$ | 8 | mm | - |
| | c | 13 | mm | - |
| | D_1 | 98.8 | mm | - |
| | $D_{a \max}$ | 101 | mm | - |
| | D_m | 80 | mm | - |
| | d | 60 | mm | - |
| | d_1 | 76.6 | mm | - |
| 计算系数 | e | 0.23 | | - |
| | Y_1 | 2.69 | | - |
| | Y_2 | 4.16 | | - |
| 基本额定载荷 | C_{0r} | 16300 | N | 基本额定静载荷, 径向 |
| 计算系数 | Y_0 | 2.82 | | - |
| 极限转速 | n_G | 6300 | r/min | 极限转速 |
| 参考转速 | n_B | 7100 | r/min | 参考速度 |
| 疲劳极限载荷 | C_{ur} | 1020 | N | 疲劳极限载荷, 径向 |

FAG 2212-K-TVH-C3 + H312图片



参考资料:<http://www.sozhou.com/p/190fb86f.html>