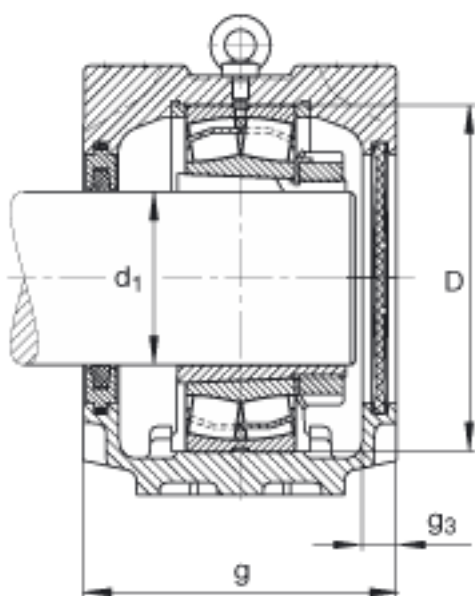


FAG SNV215-F-L + 22224K + H3124X404 + FSV524X404参数

| | | | | |
|----|-------|------------|----|----------|
| 说明 | | H3124X404 | | 质量, 紧定套 |
| | | FRM215/14 | | 型号, 定位圈 |
| | | FSV524.404 | | 型号, 毛毡密封 |
| 尺寸 | d_1 | 107.95 | mm | - |
| | a | 410 | mm | - |
| | h_1 | 271 | mm | - |
| | g | 180 | mm | - |
| | b | 120 | mm | - |
| | c | 45 | mm | - |
| | D | 215 | mm | - |
| | g_3 | 16 | mm | - |
| | h | 140 | mm | - |
| | m | 350 | mm | - |
| | s | M24 | | - |
| | s | 22.225 | mm | - |
| | u | 26 | mm | - |
| | v | 32 | mm | - |
| 重量 | m_1 | 24500 | g | 质量, 轴承座 |
| 说明 | | 22224K | | 型号, 轴承 |
| | | DKV215 | | 型号, 端盖 |
| | | SNV215-F-L | | 型号, 轴承座 |

FAG SNV215-F-L + 22224K + H3124X404 + FSV524X404图片







参考资料:<http://www.sozhou.com/p/1520405c.html>