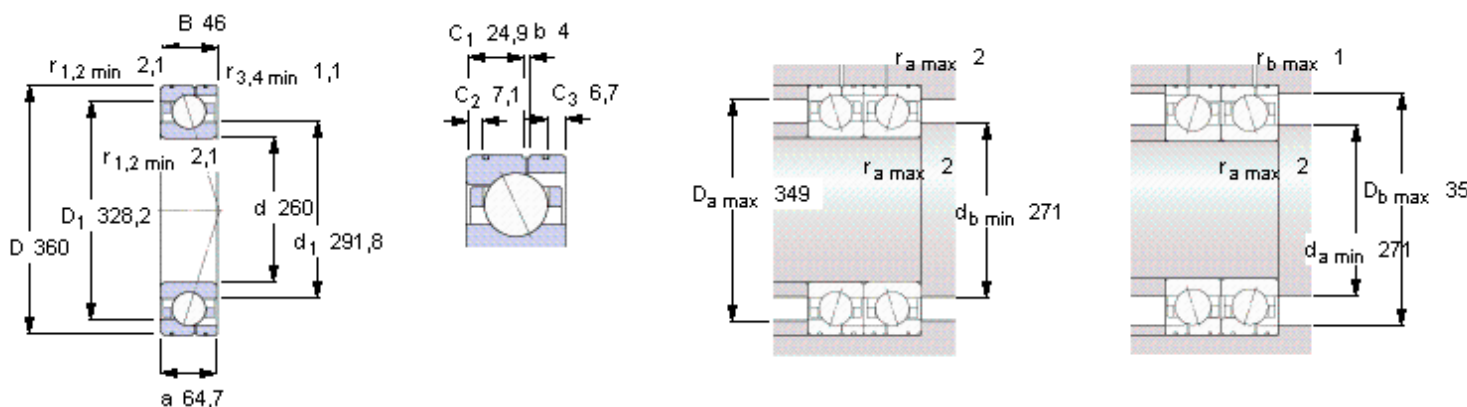


SKF 71952 CD/P4AL参数

主要尺寸	d	260	mm	-
	D	360	mm	-
	B	46	mm	-
基本额定载荷	C	281000	N	动载荷
	C_0	425000	N	静载荷
疲劳载荷极限	P_u	10200	N	-
可达转速	Grease	3400	r/min	-
	Oil-air	5000	r/min	-
重量	重量	12000	g	-
型号	型号	71952 CD/P4AL	-	-

SKF 71952 CD/P4AL图片



Ball diameter 30,162

Number of balls 29

未安装时的预载荷 [N]

背对背配置，面对面配置

预载荷等级

A	B	C	D
1050	2100	4200	8400

Static axial stiffness [N/μm]

(guideline value)

预载荷等级

A	B	C	D
249	339	475	688

Reference grease quantity [cm³]

G_{ref} 150

计算系数

for equivalent bearing load

f_0 16,5

for preload in mounted bearing sets

f 1,24

f_1 1

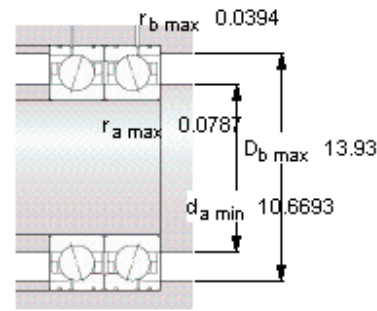
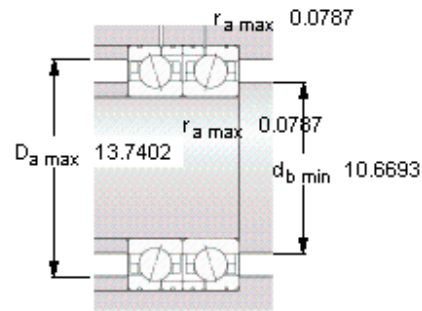
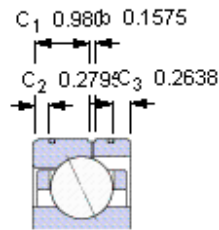
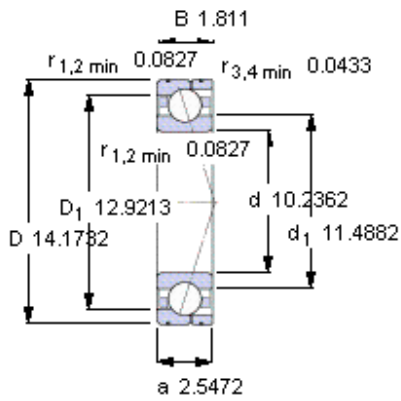
f_{2A} 1

f_{2B} 1,04

f_{2C} 1,09

f_{2D} 1,15

f_{HC} 1



Ball diameter 30,162

Number of balls 29

未安装时的预载荷 [N]

背对背配置，面对面配置

预载荷等级

A	B	C	D
1050	2100	4200	8400

Static axial stiffness [N/μm]

(guideline value)

预载荷等级

A	B	C	D
249	339	475	688

Reference grease quantity [cm³]

G_{ref} 150

计算系数

for equivalent bearing load

f₀ 16,5

for preload in mounted bearing sets

f 1,24

f₁ 1

f_{2A} 1

f_{2B} 1,04

f_{2C} 1,09

f_{2D} 1,15

f_{HC} 1