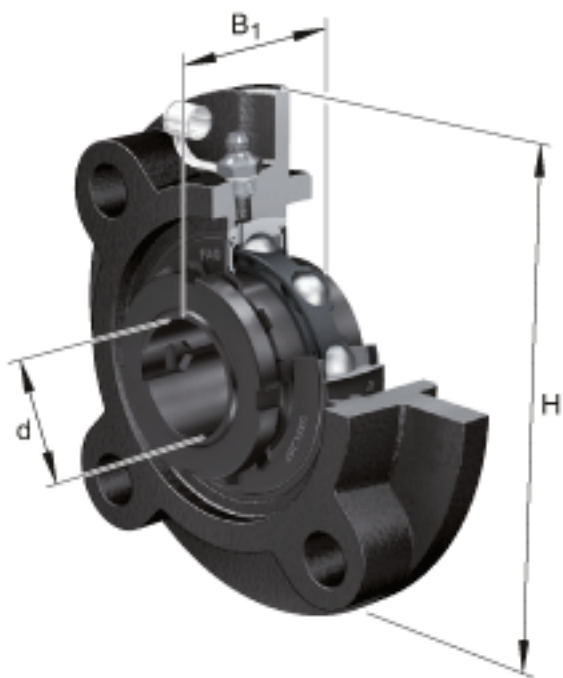
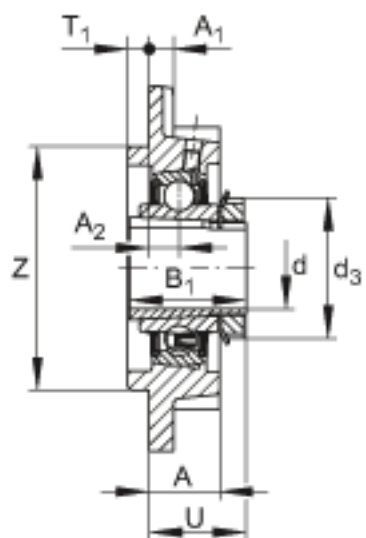
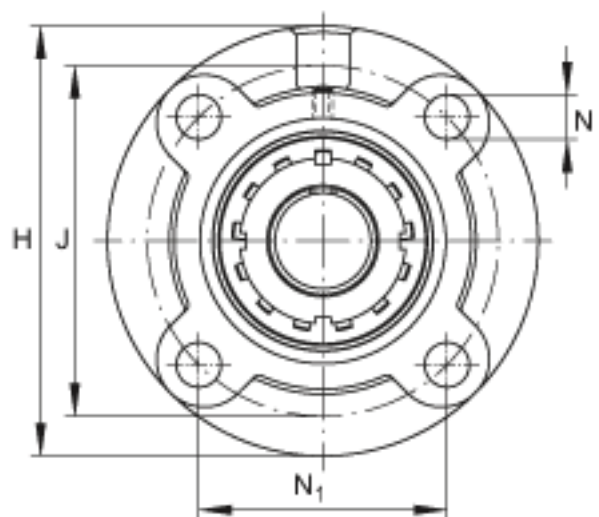


FAG UKFC212参数

| | | | | |
|----|-------------|-------|----|------------|
| 尺寸 | N | 19 | mm | - |
| | N_1 | 113.1 | mm | - |
| | T_1 | 12 | mm | - |
| | Z | 135 | mm | - |
| 重量 | m | 4950 | g | 重量 |
| 说明 | | FC212 | | 型号, 轴承座 |
| | | UK212 | | 型号, 外球面球轴承 |
| 尺寸 | d | 55 | mm | - |
| | H | 195 | mm | - |
| | B_1 | 62 | mm | - |
| | A | 36 | mm | - |
| | A_1 | 15 | mm | - |
| | A_2 | 17 | mm | - |
| | $d_{3\max}$ | 80 | mm | - |
| | J | 160 | mm | - |

FAG UKFC212图片





参考资料:<http://www.sozhou.com/p/0d2438f7.html>