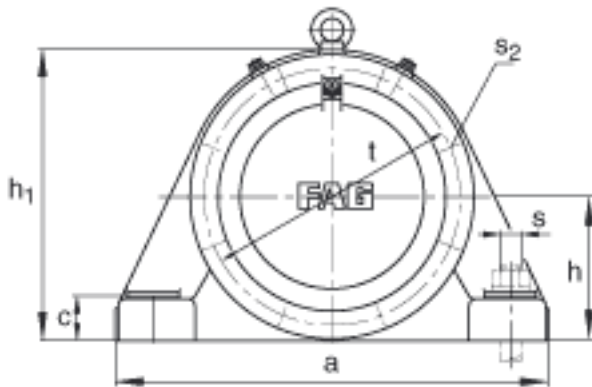
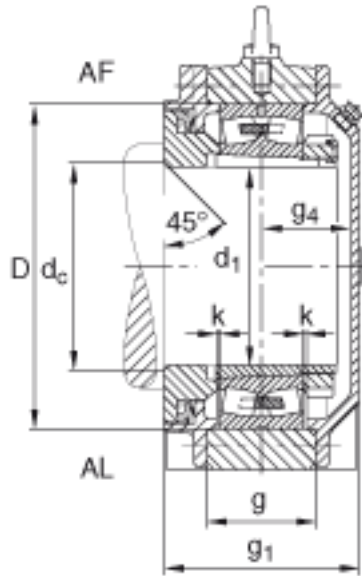


FAG BND3172-H-C-T-AL-S参数

|    |                |          |    |         |
|----|----------------|----------|----|---------|
| 尺寸 | d <sub>1</sub> | 340      | mm | -       |
|    | a              | 1200     | mm | -       |
|    | h <sub>1</sub> | 760      | mm | -       |
|    | g <sub>1</sub> | 400      | mm | -       |
|    | b              | 370      | mm | -       |
|    | c              | 115      | mm | -       |
|    | D              | 600      | mm | -       |
|    | d <sub>c</sub> | 360      | mm | -       |
|    | g              | 225      | mm | -       |
|    | g <sub>4</sub> | 188      | mm | -       |
|    | h              | 380      | mm | -       |
|    | k              | 4        | mm | -       |
|    | m              | 1000     | mm | -       |
|    | n              | 200      | mm | -       |
|    | s              | M48      |    | -       |
| 说明 | s <sub>2</sub> | M24      |    | -       |
| 尺寸 | t              | 650      | mm | -       |
|    | u              | 56       | mm | -       |
|    | v              | 75       | mm | -       |
| 说明 | s <sub>2</sub> | 8        |    | 数量      |
|    |                | 23172K   |    | 型号, 轴承  |
| 其他 |                | H3172-HG |    | 质量, 紧定套 |
| 重量 | m <sub>1</sub> | 600000   | g  | 质量, 轴承座 |
| 说明 |                | BND3172  |    | 型号, 轴承座 |

FAG BND3172-H-C-T-AL-S图片



参考资料:<http://www.sozhou.com/p/07b53a8f.html>

