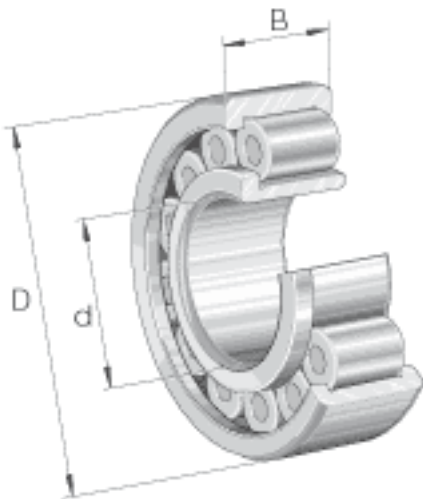
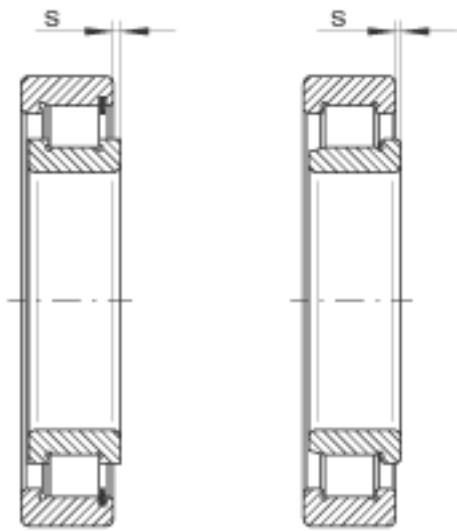
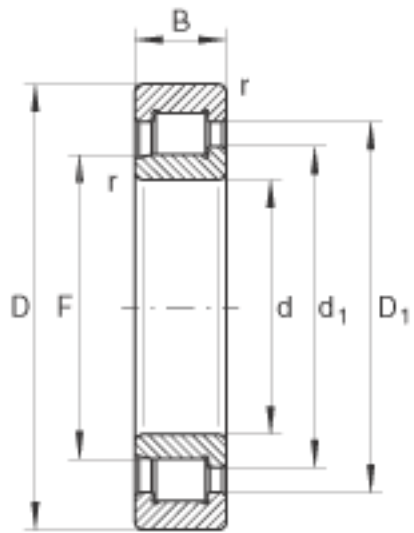


INA SL192322-TB参数

| | | | | |
|--------|-----------|--------|-------|-------------|
| 尺寸 | d | 110 | mm | - |
| | D | 240 | mm | - |
| | B | 80 | mm | - |
| | D_1 | 199.9 | mm | - |
| | d_1 | 151.1 | mm | - |
| | F | 134.27 | mm | - |
| | r_{min} | 3 | mm | - |
| | s | 5 | mm | 轴向位移 |
| | 重量 | m | 17000 | g |
| 基本额定载荷 | C_r | 950000 | N | 基本额定动载荷, 径向 |
| | C_{0r} | 970000 | N | 基本额定静载荷, 径向 |
| 疲劳极限载荷 | C_{ur} | 160000 | N | 疲劳极限载荷, 径向 |
| 极限转速 | n_G | 1820 | r/min | 极限转速 |
| 参考转速 | n_B | 1280 | r/min | 参考转速 |

INA SL192322-TB图片





参考资料:<http://www.sozhou.com/p/04996674.html>