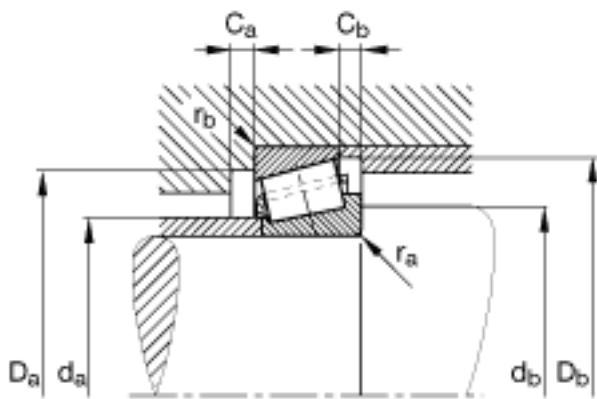
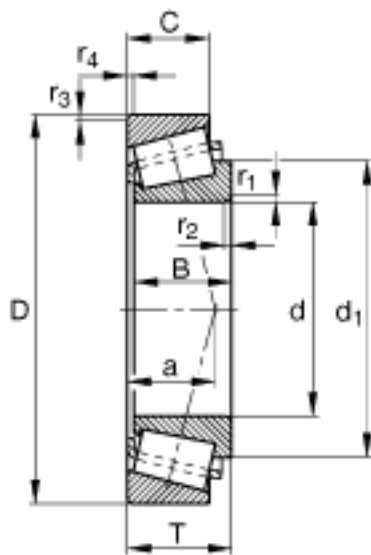
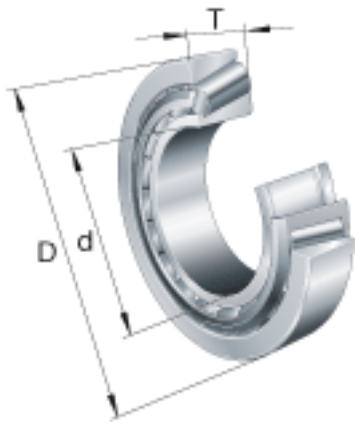


FAG 31304参数

| | | | | | |
|-----------------|-----------------------|----------------|-------|------------|------------|
| 尺寸 | d | 20 | mm | - | |
| | D | 52 | mm | - | |
| | T | 16.25 | mm | - | |
| | a | 16 | mm | - | |
| | B | 15 | mm | - | |
| | C | 11 | mm | - | |
| | C _{a min} | 3 | mm | - | |
| | C _{b min} | 5 | mm | - | |
| | D _{a max} | 45 | mm | - | |
| | D _{a min} | 40 | mm | - | |
| | D _{b min} | 48 | mm | - | |
| | d ₁ | 37.3 | mm | - | |
| | d _{a max} | 27 | mm | - | |
| | d _{b min} | 27 | mm | - | |
| | r _{1, 2 min} | 1.5 | mm | - | |
| | r _{3, 4 min} | 1.5 | mm | - | |
| | r _{a max} | 1.5 | mm | - | |
| | r _{b max} | 1.5 | mm | - | |
| | 重量 | m | 174 | g | 质量 |
| | 基本额定载荷 | C _r | 30500 | N | 基本额定动载荷，径向 |
| C _{0r} | | 29500 | N | 基本额定静载荷，径向 | |
| 计算系数 | e | 0.73 | | - | |
| | Y | 0.82 | | - | |
| | Y ₀ | 0.45 | | - | |
| 疲劳极限载荷 | C _{ur} | 3350 | N | 疲劳极限载荷，径向 | |
| 极限转速 | n _G | 14900 | r/min | 极限转速 | |
| 参考转速 | n _B | 8400 | r/min | 参考速度 | |

FAG 31304图片



参考资料:<http://www.sozhou.com/p/0184730d.html>